



MODELS

CVE612
CVE614 / SVE614
CVE624 / SVE624
CVE662
CVEP604 / CVEP614 / SVEP614

BUILT-IN COOKING APPLIANCES

User Manual

CONGRATULATIONS

Congratulations and thank you for choosing our Built-in Oven. We are sure you will find your new appliance a pleasure to use and a great asset to your cooking. Before you use the appliance, we recommend that you read through the whole user manual which provides a description of the product and its functions.

To avoid the risks that are always present when you use a cooking appliance, it is important that the appliance is installed correctly and that you read the safety instructions carefully to avoid misuse and hazards. For future reference, please store this booklet in a safe place. This appliance complies to the requirements of Australian Standard AS/NZS 60335.2.6

CONDITIONS OF USE

This appliance is intended to be used in household and similar applications such as:

- Staff kitchen areas in shops, offices and other working environments
- Farm houses
- By clients in hotels, motels and other residential type environments
- Bed and breakfast type environments

Record model and serial number here:

Model:

Serial number:

The symbols you will see in this booklet have these meanings:

warning

Indicates information concerning your personal safety

caution

Indicates information on how to avoid damaging the appliance

tips & information

Indicates tips and information about use of the appliance

environmental tips

Indicates tips and information about economical and ecological use of the appliance

tips & information

Important – check for any damage or marks

If you find the appliance is damaged or marked, you must report it within 7 days if you wish to claim for damage/marks under the manufacturer's warranty. This does not affect your statutory rights.

environmental tips

Information on disposal for users

- Most of the packaging materials are recyclable. Please dispose of those materials by contacting your local authorities and ask for the correct method of disposal.

CONTENTS

General safety	3
Description of your appliance	4
Before operating your appliance for the first time ..	5
Setting the time	5
Preparing your appliance for the first time.....	5
Installing your oven accessories	6
Shelves and trays (CVEP604 only)	7
Operating the programmable clock	8
3 button programmable clock	8
5 button programmable clock	9
Using your oven	12
Understanding your oven functions	12
Cooling/venting fan	13
Condensation	13
Operating your oven temperature selector	13
Pre-heating your appliance	14
Cooking guide	15
On completion of cooking.....	15
Cooking guide.....	15
Oven shelf location	15
Oven shelf location (CVE624, SVE624 & CVEP604 only)	15
Choosing the best oven settings	16
Cooking with the pizza stone	16
Roasting meat	17
Roasting poultry and fish	17
Grilling guide	18
Grilling hints	18
Guide to better grilling	18
Fan Grill (multifunction models only).....	18
Dealing with cooking problems	19
Get to know your oven	20
Cleaning your appliance	21
Cleaning your oven door	24
Cleaning your oven door (Pyrolytic models) ..	27
Pyrolytic cleaning	30
Solving problems	31
Installation	32
Underbench oven.....	33
Separate grill wall oven & pizza oven.....	34
Pyrolytic underbench oven.....	35
Notes	36
Warranty	39

general safety

warning

An important read to avoid an electric shock or fire

- The appliance is NOT suitable for use by children without supervision.
- Young children should be supervised to ensure they do not play with this appliance.
- This appliance is not intended for use by persons (including children) with reduced physical, sensory or mental capabilities, or lack of experience and knowledge, unless they have been given supervision or instruction concerning use of the appliance by a person responsible for their safety.
- During use this appliance becomes hot. Care should be taken to avoid touching hot external and internal surfaces when in use. Use oven gloves. Children should be kept away to avoid burns and scalds.
- This appliance must NOT be used as a space heater.
- DO NOT spray aerosols in the vicinity of this appliance while it is in operation.
- DO NOT store flammable materials in the appliance or near this appliance, e.g. aerosols.
- Ensure all specified vents, openings and airspaces are not blocked in order to avoid a fire.
- DO NOT line the bottom of the oven or grill with foil or cookware. This will damage the enamel.
- DO NOT MODIFY THIS APPLIANCE.

Oven warnings

- During use the appliance becomes hot. Care should be taken to avoid touching hot surfaces inside the oven.
- To avoid an accident, ensure that oven shelves and fittings are always inserted into the appliance in accordance with the instructions.
- Do not use the door as a shelf.
- Do not push down on the open oven door.
- In order to avoid overheating, the appliance must not be installed behind a decorative door.
- The cooking process has to be supervised. A short term cooking process has to be supervised continuously.
- Switch the appliance off before removing the oven light glass for globe replacement.

Grill warnings

- Accessible parts may become hot when grill is in use. Children should be kept away.
- DO NOT leave grill on unattended.
- The grill door must be left fully open whilst grilling in a separate grill wall oven.
- Always turn the grill off immediately after use as fat left there may catch fire.
- Do not cover the grill dish insert with foil as fat left there may catch fire.
- Always keep the grill dish clean as any fat left there may catch fire.
- To avoid a fire, ensure that grill trays and accessories are always inserted into the appliance in accordance with the instructions.
- Do not place thick portions of food under the grill. Foods may curl, catch and ignite.

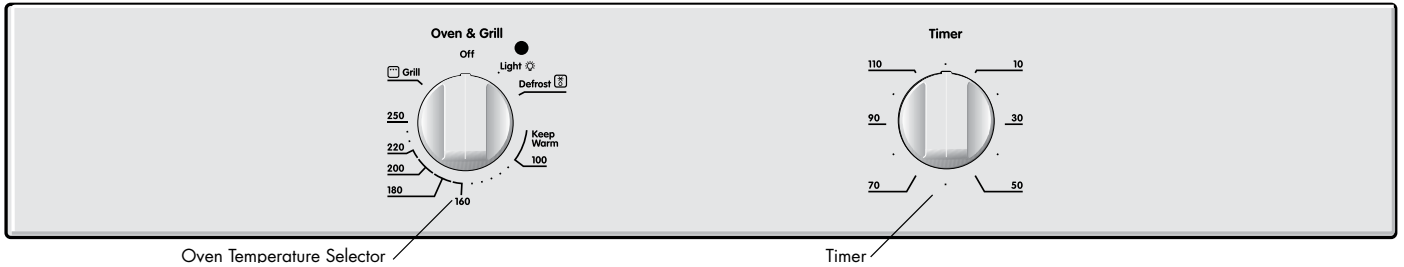
Installation, cleaning and servicing

- Only authorised personnel must install and carry out servicing of this appliance (Certificate of Compliance to be retained).
- Before using the appliance, ensure that all packaging materials are removed from the appliance.
- In order to avoid any potential hazard, the installation instructions must be followed.
- Ensure that all specified vents, openings and airspaces are not blocked.
- Where the appliance is built into a cabinet, the cabinet material must be capable of withstanding 70°C.
- Always ensure the appliance is switched off before cleaning or replacing parts.
- Do not use steam cleaners as this may cause moisture build up.
- Always clean the appliance immediately after any food spillage.
- To maintain safe operation, it is recommended that the product be inspected every five years by an authorised service person.

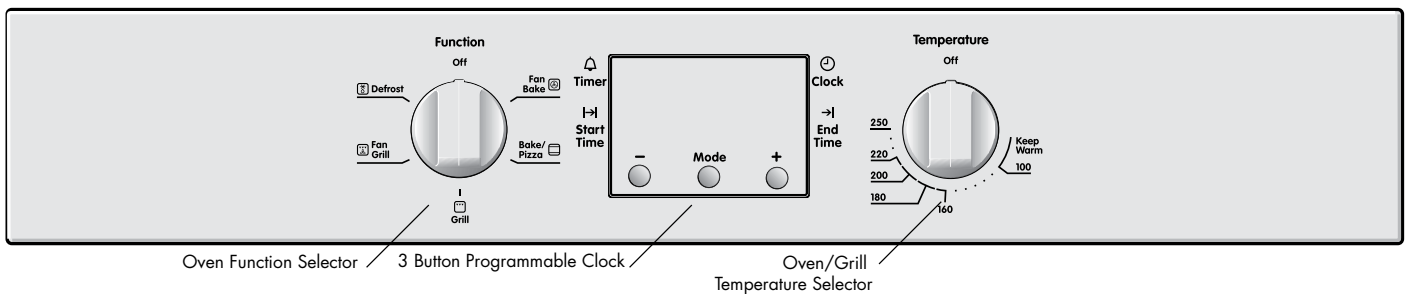
This appliance must be earthed.

description of your appliance

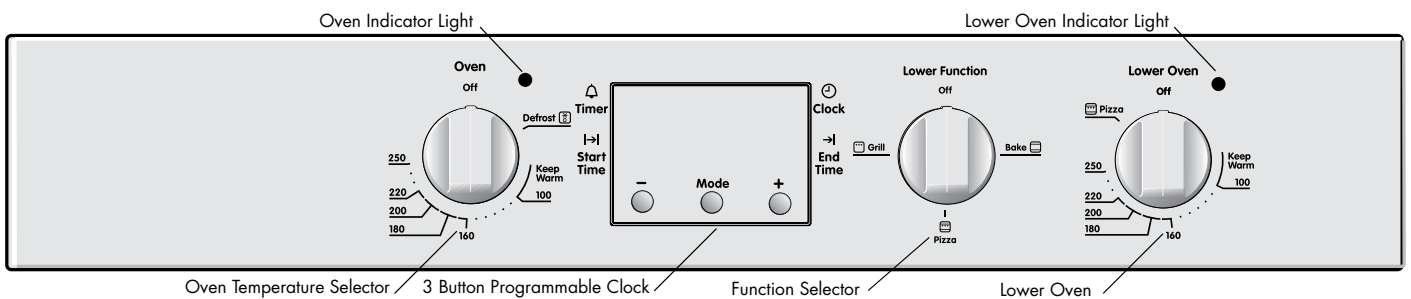
Model: CVE612 Underbench Oven Multifunction 3



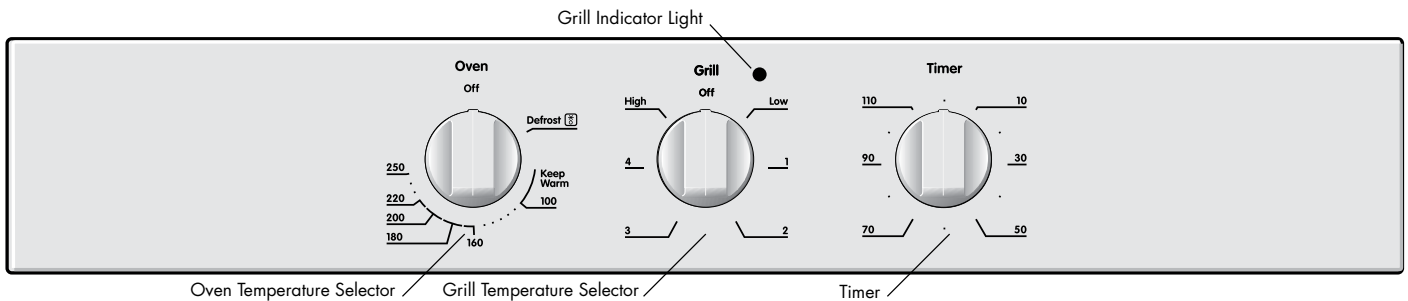
Model: CVE614/SVE614 Underbench Oven Multifunction 5



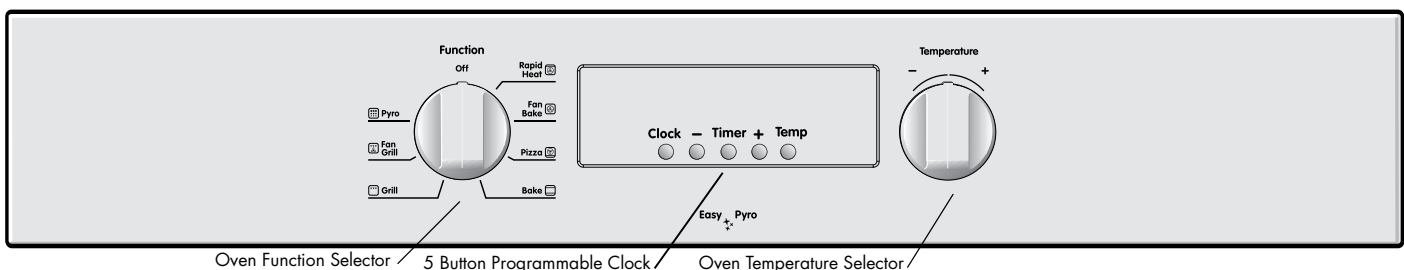
Model: CVE624 / SVE624 Duo Wall Oven Multifunction



Model: CVE662 Separate Grill Wall Oven Multifunction



Model: CVEP604 / CVEP614 / SVEP614 Underbench Pyrolytic Oven



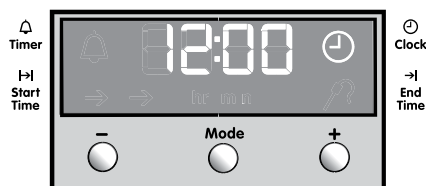
before operating your appliance for the first time


tips & information

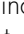
Setting the time

3 button programmable clock (where applicable)

After electrically connecting the appliance, you must set the time of the day before you can operate your oven.



- After the appliance has been electrically connected '12:00' will be displayed and the clock  'indicator' will flash.
- To set the time of day in hours and minutes press the **-** or **+** buttons.

5 seconds after the last change, clock  'indicator' will disappear, confirming the time has been set. Once the time has been entered, the clock advances minute by minute.

NOTE: The clock has a 24-hour display.


Operating your 120 minute timer (where applicable)

To set the timer, simply turn the knob clockwise to the required number of minutes.

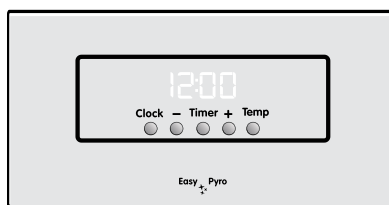
NOTE: For any time below fifteen minutes turn the knob past the forty minute mark then turn back to the required number of minutes. When the timer returns to zero/off position, the timer gives a short ring/ding.

- For appliances with a separate grill compartment, run grill on maximum for 15 minutes with grill door open.

5 button programmable clock (where applicable)

- After the appliance has been electrically connected, "12" and the "Set Clock" symbol  will flash.
- To set the time of day "Hours" press the **-** or **+** buttons.
- Press the "Clock" button and the time of day "Minutes" will flash and can be set in the same manner.
- After 5 seconds from the last change, the clock display will stop flashing, confirming the time is set.

NOTE: The clock has a 24-hour display.



Preparing your appliance for the first time

- Please remove all boxes and bags from inside the oven before operation.
- Please wipe out the oven interior prior to operation with warm soapy water and polish dry with a soft clean cloth. Do not close the oven door until the oven is completely dry.
- New appliances can have an odour during first operation. It is recommended to 'run in' your oven before you cook for the first time. Run the oven at 180°C for 30 minutes and ensure that the room is well ventilated.

before operating your appliance for the first time

Installing your oven accessories

The type of oven accessories you receive is dependant on the model you have purchased.

1. Shelves and trays

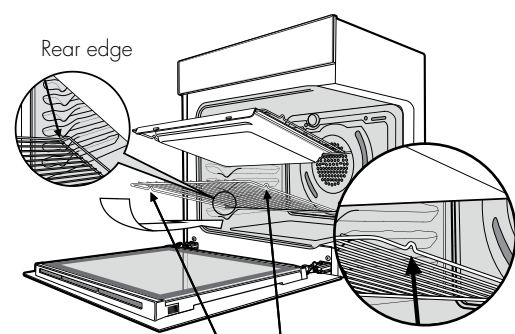
caution

Ensure the shelves are inserted in the correct orientation, otherwise you may damage the appliance.

Your oven comes with formed "easy clean" shelf supports. The shelves are designed to travel freely on the shelf supports without being pulled out accidentally. Make sure you have the shelf in the correct orientation before you slide it in. Otherwise it could become jammed.

- Locate the rear edge of the shelf in the recess between 2 formed shelf supports. See diagram below.

NOTE: The top 'ledge' is not a shelf position.



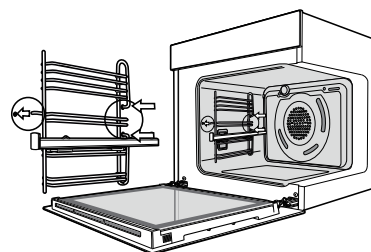
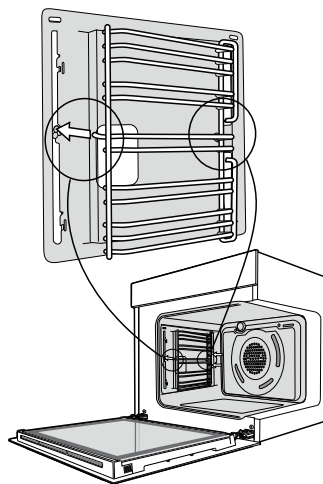
Note the orientation of the side and rear features

- With the front edge raised, begin to slide the shelf into the oven. Lower the front edge as you push the shelf fully in.
- The grill/baking tray for underbench oven models sits into a wire carrier that fits into the oven exactly like the shelves.
- The grill/baking tray for separate grill wall oven models slides into the wire runners in a similar manner.
- When fully inserted, the shelf/tray should not interfere with the closed oven door.

2. Main oven wire side racks (where applicable)

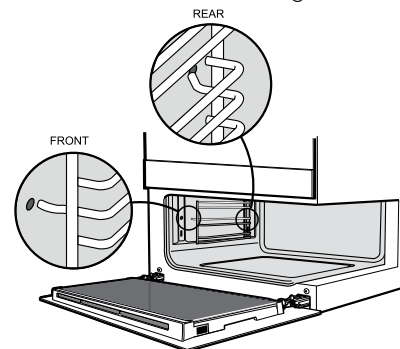
The side racks that come with your oven can be attached to either side of your oven.

- Insert the twin pegged side into the rear access holes provided, ensuring that the pegs are fully inserted.
- Then locate the front peg into the front access hole and push in firmly.
- When locating the left side rack into the small oven or grill, ensure the pegs are inserted into the upper two access holes.



3. Separate grill side racks (where applicable)

Separate grill wall ovens come with side racks that are to be fitted to the smaller lower grill/oven.



These can be attached to either side in the following manner:

- Insert the largest peg into rear access hole provided. See diagram above.
- Then locate the front peg into the front access hole and push in firmly.
- When locating the left side rack into the small oven or grill, ensure the pegs are inserted into the upper two access holes.

before operating your appliance for the first time

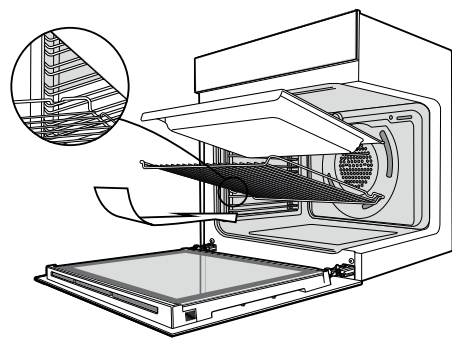
Shelves and trays (CVEP604 only)

i important

The shelves are designed so that they have maximum travel but cannot be accidentally pulled right out. The trays are designed the same way and fit straight into the side racks.

To fit a shelf or tray to side racks:

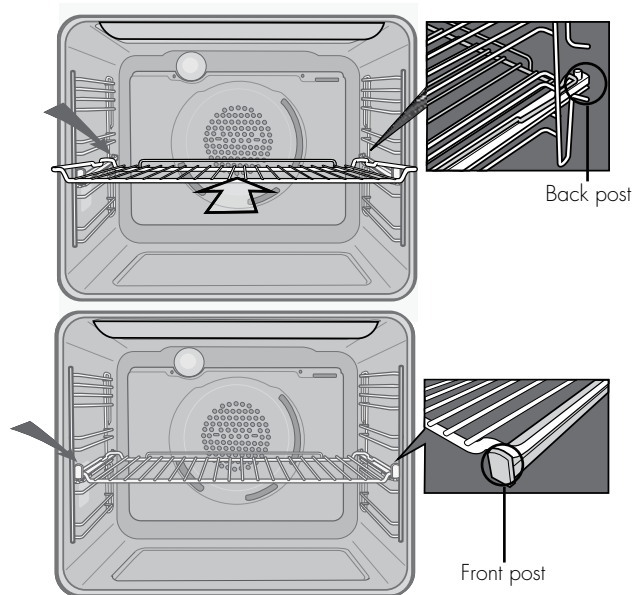
- Locate the rear edge of the shelf/tray in between 2 guide rails of the side rack - see diagram. Ensure the same rail positions on both sides of the oven are being engaged.
- With the front edge raised, begin to slide the shelf into the oven.
- Once the detents have passed the front edge of the side rack, the shelf can be pushed fully in.
- The grill/baking tray for separate grill wall oven models slides into the wire runners in a similar manner.
- When fully inserted the shelf/tray should not interfere with the closed oven door.
- Remove extra trays and dishes before roasting or baking.



To fit a shelf or tray to telescopic slides (where fitted):

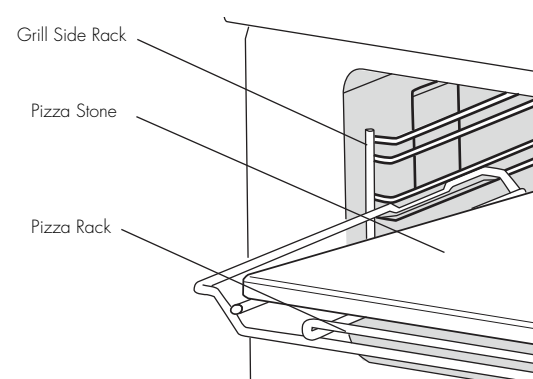
- With the slides fully pushed in, push the shelf or tray along the top of the slide until it hits the back post.
- Drop the front of the shelf or tray onto the slide ensuring it sits behind the front post of the slide.
- When fully inserted the shelf/tray should not interfere with the closed oven door.

Note: Shelves and accessories must be removed when using pyrolytic cleaning function.



Pizza Stone

- Insert the pizza rack into the grill side racks (lower oven) as shown in the image below.
- Note the orientation of the pizza rack. Refer to the image below.
- Carefully place the pizza stone inside the pizza rack.
- Slide the pizza rack fully in and close the door.



operating the programmable clock

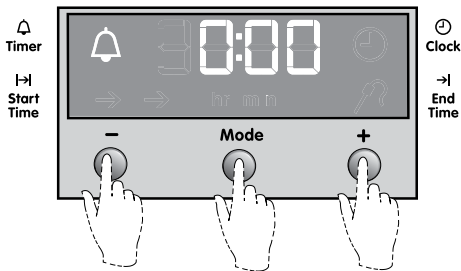
3 button programmable clock

Your oven is equipped with a 3 button timer that has the following features:

- Timer - you can set a countdown time that will beep when the set time has elapsed.
- Cook time - you can set cooking duration. A timer will count down the preset cooking time, beep when the time has elapsed and turn the appliance off.
- End time - instead of setting a cooking duration you can set a cooking finish time. When the finish time has been reached the timer will beep and turn the appliance off.
- Delayed start cooking time - you can combine the cooking time and end cooking time to switch oven on and off at a specific time during the day.

Selecting the timer

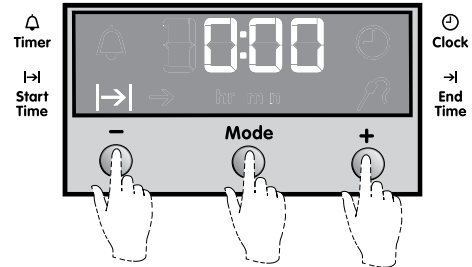
- Press the MODE button until the timer 'indicator' begins flashing.
- Set the countdown time you want by using the **-** and **+** buttons. 5 seconds after the last change the timer 'indicator' will stop flashing and the countdown will start in minutes.
- To stop the beeper, press any button.
- Maximum countdown time is 2hrs 30mins



Setting the cooking duration

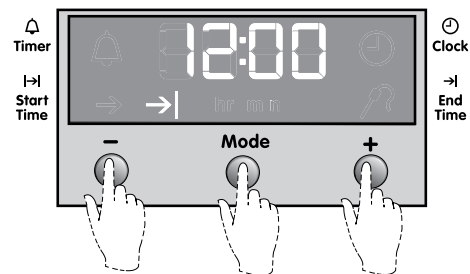
- Select the desired oven function and temperature.
- The oven indicator light will glow and the heating source will come on.
- Press the MODE button until the cook time 'indicator' begins flashing.
- Set the cooking duration you want by using the **-** and **+** buttons. Five seconds after the last change the cook time 'indicator' will stop flashing, and the time of day will be displayed.
- To stop beeper, press any button.

Note: Remember to add pre-heating time if necessary.



Setting the cooking end time

- Check that the clock displays the correct time of day.
- Select the desired oven function and temperature. The oven indicator light will glow and the heating source will come on.
- Press MODE button until the end time 'indicator' begins flashing.
- Enter the time of day you want to finish cooking by pressing **-** or **+** buttons. Five seconds after the last change, the end time 'indicator' will stop flashing and the current time of day will be displayed.
- To stop beeper, press any button.



Setting the delayed start cooking time

- Set the cook time and end time as described in the previous sections.
- Once both the cook time and end time have been set, the cook time and the end time 'indicators' will stop flashing and the current time of day will be displayed.
- To stop beeper, press any button.

operating the programmable clock

3 button programmable clock (cont)

To check or cancel settings

- To check your settings, press the MODE button until the indicator you want is flashing.
- To cancel "delayed start" press the mode button until "end time" →| symbol starts flashing. Press and hold the — button until the clock no longer reverses (you will hear a beep). If you have left the temperature and function knobs at a setting the oven will start once the "end time" →| indicator stops flashing.
- To cancel "auto shut off" press the mode button until "cook time" |→| indicator starts flashing. Press and hold the — button until the clock no longer reverses (at 0:00 you will hear a beep). This automatically cancels "delayed start". If you have left the temperature and function knobs at a setting, the oven will start once the "cook time" |→| indicator stops flashing. Because you have cancelled "auto off" the oven will continue to heat until you manually turn it off.

On completion of cooking

- The heat source will turn off, the timer will beep and the end time and/or cook time 'indicators' will flash.
- Even though the heating element turns off, the oven will still retain substantial heat. This will continue to cook the food until it is removed or the oven cools down. If you do not plan on being present when the oven turns off, you should take this extra heating time into account.
- Turn the function and temperature controls to the off position.
- Press any button to stop the timer beeping.

Adjusting the clock ⌚

- Press the MODE button until the clock ⌚ 'indicator' begins flashing.
- Press the — or + buttons to change the time of day. 5 seconds after the last change, the clock 'indicator' will disappear, confirming the time has been adjusted.

5 button programmable clock (CVEP604, CVEP614, SVEP614)



General features

The oven is equipped with an electronic clock that can be used to turn the oven on and off automatically. The COOK TIME function automatically turns the oven off after a set amount of time. The END TIME function is used to set the time of day you want the cooking cycle to finish. A "Delayed start" is possible by combining the COOK TIME and END TIME features to switch the oven on and off at a specific time during the day.

Setting the time of day (after electrical connection):

1. After the appliance has been electrically connected, "12" and the "Set Clock" symbol ⌚ will flash.
2. To set the time of day "Hours" press the — or + buttons while the "Set Clock" symbol ⌚ is flashing.
3. Press the CLOCK button and the time of day "Minutes" will flash and can be set in the same manner.
4. After 5 seconds from the last change, the clock display will stop flashing, confirming the time is set.

NOTE: The clock has a 24-hour display.

Changing the time of day

1. Press CLOCK button until the "Set clock" symbol ⌚ begins to flash on the clock display.
2. To set the time of day "Hours" press the — or + buttons while the "Set Clock" symbol ⌚ is flashing.
3. Press the CLOCK button and the time of day "Minutes" will flash and can be set in the same manner.
4. After 5 seconds from the last change, the clock display will stop flashing, confirming the time is set.

NOTE: The clock has a 24-hour display.

operating the programmable clock

5 button programmable clock (cont)

Setting the oven function

1. Turn the oven FUNCTION selector clockwise to select the desired oven function. The default temperature for that function will be shown on the display.
2. After 5 seconds from the last change, the oven will begin heating and the "Elapsed time" commences on the display.

Changing the oven temperature

1. Toggle the TEMPERATURE selector left **−** or right **+** as required to set the desired cooking temperature. The temperature setting changes in increments of 5°C.
2. The set temperature is displayed for 5 seconds from the last change.

NOTE: The temperature can be adjusted at any time. Oven temperature cannot be changed for the Defrost or Pyro function.

Setting the cooking duration

1. Select the desired oven function and cooking temperature.
2. Press "Clock" button until the COOK TIME symbol **⏲** appears flashing.
3. Set the desired cooking duration "Minutes" by using **−** or **+** buttons while the COOK TIME symbol **⏲** is flashing.
4. Press the CLOCK button and the cooking duration "Hours" will flash and can be set in the same manner.
5. After 5 seconds from the last change, the COOK TIME symbol **⏲** will stop flashing confirming the cooking duration is set.
6. A countdown of the "Cooking time remaining" will be shown on the display.
7. When the set time has elapsed, a signal will sound and the oven will turn off. To stop the signal, press any button on the clock and then turn the oven FUNCTION selector to "Off".

NOTE: Do not forget to add pre-heating time if necessary. Cooking duration cannot be set for the Rapid Heat function. The cooking duration can be cancelled at any time by turning the "Function" selector to "Off".

Checking the oven temperature

To check the actual temperature inside the oven, press any button on the controller to display the temperature.

Setting the cooking end time

1. Select the desired oven function and cooking temperature.
2. Press CLOCK button until the END TIME symbol **→|** appears flashing.
3. Set the desired time of day "Hours" to finish cooking by pressing **−** or **+** buttons while the END TIME symbol **→|** is flashing.
4. Press the CLOCK button and the time of day "Minutes" to finish cooking will flash and can be set in the same manner.
5. After 5 seconds from last change, the END TIME symbol **→|** will stop flashing confirming the cooking end time is set.
6. The "Cooking end time" will be shown on the display.
7. When the set time has elapsed, a signal will sound and the oven will turn off. To stop the signal, press any button on the clock and then turn the oven FUNCTION selector to "Off".

NOTE: Cooking end time cannot be set for the Rapid Heat function. The cooking duration can be cancelled at any time by turning the "Function" selector to "Off".

Setting the delayed start cooking time

1. Program the COOK TIME and END TIME as described in the relevant sections. Once both the COOK TIME and END TIME have been set, the COOK TIME and END TIME indicators will stop flashing and the "Set temperature" will be displayed.

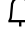

NOTE: Do not forget to add pre-heating time if necessary. Delayed start cooking time cannot be set for the Rapid Heat function. The delayed start cooking time can be cancelled at any time by turning the "Function" selector to "Off".

Setting the minute minder

1. Press the **⏰** button and the "Minute minder" symbol **⏰** begins to flash.
2. Set the countdown time "Seconds" by using **−** or **+** buttons while the minute minder symbol **⏰** is flashing.
3. Press the **⏰** button and the countdown time "Minutes" will flash and can be set in the same manner.
4. Press the **⏰** button and set the countdown time "Hours" will flash and can be set in the same manner.
5. After 5 seconds from the last change, the "Minute minder" symbol **⏰** will stop flashing confirming it has been set.

operating the programmable clock

5 button programmable clock (cont)

6. Once the set time has elapsed, a signal will sound for 1 minute. The time indication "0.00" and a flashing "Minute minder" symbol  will appear on the display.
7. To stop the signal, press any button on the clock.
8. To cancel the minute minder, press the  button and the display will flash. Then press and hold **-** or **+** buttons together until the minute minder is cleared.

NOTE: This feature has no effect on the oven operation. With the oven "Off" and minute minder operating, the time of day cannot be displayed.

Elapsed time

When an oven function is selected (other than pyrolytic clean), after 5 seconds the "Elapsed time" is displayed.

1. To reset the "Elapsed time", press and hold both the **-** and **+** buttons until the timer is reset.

Displaying the oven centre and set temperature (other than pyrolytic clean function)

1. Press the TEMP. button when the oven is operating and the "Oven centre temperature" is displayed.
2. Press the TEMP. button again within 5 seconds and the "Oven set temperature" is displayed.
3. Alternatively, the TEMPERATURE selector can be toggled left **-** or right **+** for 1 second and the "Oven set temperature" is displayed.

Note: This temperature is displayed for 5 seconds.

Light operation

1. At any time, the oven lamp can be switched on or off by pressing and holding the  button for 5 seconds.

Activating the child-proof lock

When the child lock is engaged, the oven cannot be operated and the door cannot be opened.

1. Switch the FUNCTION selector to "Off".
2. Press and hold the CLOCK and **+** buttons at the same time until the word 'SAFE' is displayed and a double beep sounds. The word 'SAFE' will be replaced by a padlock symbol on the display after 5 seconds.

De-activating the child-proof lock

1. Press and hold the CLOCK and **+** buttons at the same time until a double beep sounds. This will commence to unlock the door and after 5 seconds the oven is ready for use.

Switching the clock display ON and OFF

When the oven is off, the clock display can be switched on and off.

1. Press together **-** and **+** symbols for 2 seconds to switch off the display.
2. Press together **-** and **+** symbols for 2 seconds to switch the clock display on again.

When the oven is off and the display is set to the 'off' state, pressing the **-** or **+** buttons will display the time of day for 5 seconds then turn off the display.

NOTE: If a timer mode is set or the oven is operating, then it is not possible to switch the display off.

Safety cut-out feature

The oven will automatically switch "Off" if the temperature is not adjusted or the appliance is left operating for a period of time. The oven switches itself off after:

1. 12.5 hours when the temperature is set between 30°C and 120°C.
2. 8.5 hours when the temperature is set between 120°C and 200°C.
3. 5.5 hours when the temperature is set between 200°C and 250°C.
4. 3.0 hours when the temperature is set at 250°C.

How to exit DEMO mode

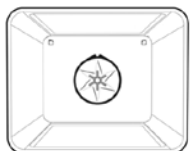
The oven can be set to operate in a demonstration mode (e.g. in a retail store). The oven will not actually heat if it has been inadvertently supplied in this mode. The following instructions demonstrate how to exit this mode.

1. Ensure the oven is "Off". Press and hold the **+** button until a beep sounds. The 'Demo' text on the display will flash.
2. While holding the **+** button, turn the FUNCTION selector to the first oven function until another beep is heard.
3. Then turn the FUNCTION selector to the 'Off' position.
4. Release the **+** button.
5. Toggle and hold the TEMPERATURE selector to the right **+** until 3 beeps sound. The 'Demo' text will no longer be displayed and the oven will function normally. If the 'Demo' text is still displayed repeat the above procedure.

using your oven

Understanding your oven functions

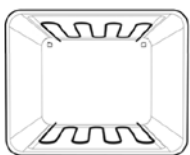
Your oven will have a selection of the following functions. Refer to "Description of your appliance" to confirm what functions are available to you.



Fan Bake

Heat comes from the element surrounding the fan. This fan circulates the hot air around the oven cavity so that you can put your food in different places in the oven and still cook them at the same time.

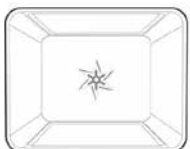
You can use the "Fan Bake" function for multi-shelf cooking, reheating cooked foods, pastries and complete oven meals. It will cook at a lower temperature and be faster than baking. Please note that some variation in browning is normal.



Bake

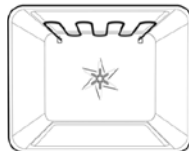
Heat comes from the elements, one above and one below the food. The bottom element is a clean heat element and is below the floor of the oven. Both elements are controlled by the thermostat and will turn on and off to maintain the set temperature.

You can use the "Bake" function for single trays of biscuits, scones, muffins, cakes, slices, casseroles, baked puddings, roasts and delicate egg dishes.



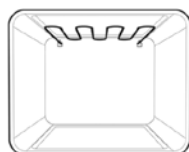
Defrost

The "Defrost" function uses low temperature air that is circulated by the fan. You can defrost (thaw) your food before you cook it. You can also use "Defrost" to raise your yeast dough and to dry fruit, vegetables and herbs.



Fan Grill

"Fan grill" offers you the benefits of both "bake" and traditional "grill" functions. The grill element turns on and off to maintain the set temperature while the fan circulates the heated air. The oven door remains closed. You can use "Fan grill" for large cuts of meat. This gives you a result that is similar to "rotisserie" cooked meat. Put your food on a shelf in the second lowest shelf position. Put the grill dish on the lowest shelf position to catch any spills. When using "Fan grill" it is not necessary to turn the food over during the cooking cycle. Set temperature to 180°C.



Grill

The "Grill" directs radiant heat from the powerful upper element onto the food. You can use the "Grill" function for tender cuts of meat, steak, chops, sausages, fish, cheese toasties and other quick cooking foods. Grill with the oven door closed. Preheat your grill for 3 minutes to get the best results. This will help seal in the natural juices of steak, chops etc. for a better flavour. You can slide your grill dish into either of the 2 spaces within the upper pairs of support rails.



Maxi Grill

"Maxi grill" directs radiant heat from 2 powerful upper elements onto the food. You can use the "Maxi grill" function for tender cuts of meat, steak, chops, sausages, fish, cheese toasties and other quick cooking foods. Grill with the oven door closed.

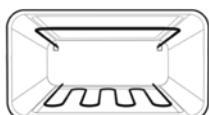
"Maxi grill" allows you to take full advantage of the large grill dish area and will cook faster than normal "Grill". For best results it is recommended to preheat your grill for 3 minutes. This will help seal in the natural juices of steak, chops etc. for a better flavour. You can slide your grill dish into either of the 2 spaces within the upper pairs of support rails.

using your oven



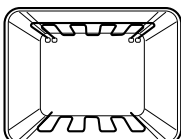
Separate Grill (where applicable)

The "Grill" directs radiant heat from the powerful upper elements onto the food. You can use the "Grill" function for tender cuts of meat, steak, chops, sausages, fish, cheese toasties and other quick cooking foods. Grill with the oven door open. Preheat your grill for 3 minutes to get the best results. This will help seal in the natural juices of steak, chops etc. for a better flavour. The grill dish is to be positioned between the upper pair of support rails.



Pyro Clean (where applicable)

The "Pyrolytic cleaning" function is used for cleaning the main oven. It cleans by burning off the spatters and temperature. This process produces ash which can be wiped out of the oven cavity.



Pizza (where applicable)

Heat comes from two elements, one above and one below the food. The bottom element is a clean heat element and is below the floor of the oven. Both elements are controlled by the thermostat and will turn on and off to maintain the set temperature. You can use the "Pizza" function specifically for making pizza, using the pizza stone and rack. However, you can also use this function for a single tray of biscuits, scones, muffins, cakes, slices, casseroles, baked puddings, roasts and delicate egg dishes.

Cooling/Venting fan

Your built-in appliance is fitted with a cooling fan. It will operate whenever you are using your oven or grill and will blow warm air across the top of the oven door. In some appliances the cooling fan may continue to operate after the appliance is turned off. This is to cool the product.

Condensation

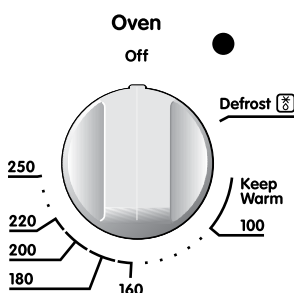
Excess condensation may fog the oven door. This may happen when you are cooking large quantities of food from a cold start. You can minimise condensation by:

- Keeping the amount of water used whilst cooking to a minimum.
- Making sure that the oven door is firmly closed.
- Baking custard in a baking dish that is slightly smaller than the water container.
- Cooking casseroles with the lid on.

NOTE: If you are using water in cooking, this will turn to steam and may condense outside your appliance. This is not a problem or fault with your oven.

Operating your oven temperature selector

A thermostat controls the temperature in your appliance. The temperature can be selected within the specified range. To set the temperature, turn the temperature selector in a clockwise direction to the desired setting. An indicator light above the temperature selector will come on. When the temperature is reached, the heating source switches itself off and the indicator light goes out. When the oven temperature falls below the desired setting, the heating source switches on and the indicator light comes on again. Once the food is cooked, turn the temperature selector back in an anti-clockwise direction. Do not force it right round in a clockwise direction as this will result in damage to the thermostat.



NOTE: For multifunction ovens the desired cooking function must be selected before the oven will operate. Once the desired function has been selected, use the temperature selector to set the required temperature.

using your oven

Pre-heating your appliance

Pre-heating your appliance is recommended in cooking and grilling functions. For best results when baking you must preheat your oven for 30 minutes.

With "Fan Bake"

1. It is recommended to preheat your appliance when cooking or baking.
2. Set the desired temperature, by rotating your oven temperature selector.

When the indicator light above the temperature selector goes out, the oven has reached the desired temperature, place your food into the oven, close the door and set the timer if you desire.

With "Grill"

Preheat the grill for at least 3 minutes to obtain best results. This will help to seal the natural juices of steak, chops and other meats for a better flavour.

Setting temperatures

The following table displays the temperature settings for recipes which do not show actual temperatures.

	Oven	Temperature °C	Temperature °F
	Cool	80	175
Low Heat	Very slow	100 – 110	210 – 230
	Slow	130 – 140	265 – 285
Moderate Heat	Moderately slow	150 – 160	300 – 320
	Moderate	170 – 180	340 – 355
High Heat	Moderately hot	190 – 200	375 – 390
	Hot	200 – 210	390 – 410
	Very hot	220 – 230	430 – 450
	Extremely hot	240 – 250	465 – 480

cooking guide

On completion of cooking

1. Turn the function and temperature controls to the off position.
2. Press any button to stop the timer from beeping.
3. After the oven is turned off it retains the heat for some time. Use this heat to finish custards or to dry bread.

Cooking guide

- Select the correct shelf location for food being cooked.
- Make sure dishes will fit into the oven before you switch it on.
- Keep edges of baking dishes at least 40mm from the side of the oven. This allows free circulation of heat and ensures even cooking.
- Do not open the oven door more than necessary.
- Do not place foods with a lot of liquid into the oven with other foods. This will cause food to steam and not brown.
- Do not use a lot of cooking oil when roasting. This will prevent splattering oil on the sides of the oven and the oven door. Polyunsaturated fats can leave varnish like residue which is very difficult to remove.
- For sponges and cakes use aluminium, bright finished or non-stick utensils.

Oven shelf location

Your oven comes with formed "easy clean" shelf supports that allow five positions for shelves. These are numbered from 1 (the lowest shelf position) to 5 (the highest shelf position). See diagram.

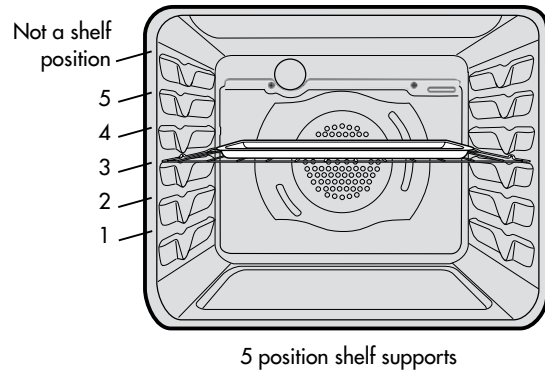
In general:

- When cooking with 1 shelf, use position 3.
- When cooking with 2 shelves, use positions 2 and 4.

For more specific recommendations, refer to the table on the following page.

Use the oven efficiently by cooking many trays of food at the same time. For example:

- Cook 2 trays of scones, small cakes or sausage rolls.
- Cook a roast dinner at the same time as you cook chips or vegetables.

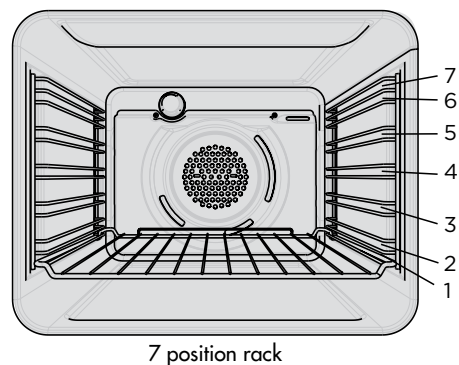


Oven shelf location (CVE624, SVE624 & CVEP604 only)

Your oven has seven positions for shelves. These are numbered from 1 (the lowest shelf position) to 7 (the highest shelf position). See diagram.

To give maximum space above and below the shelves, load them in this way:

- When cooking with 1 shelf, use position 3 or 4.
- When cooking with 2 shelves, use positions 3 and 5.



cooking guide

Choosing the best oven settings

The following table is intended as a guide and experience may show some variation in cooking times necessary to meet individual requirements. For best baking results preheat the oven for 30 minutes.

Food	Non Fan Mode		Fan Mode Oven		Time In Minutes
	Temperature °C	Oven shelf position*	Temperature °C	Oven shelf position	
Plain or fruit scones	220	2	210	Any	10 – 15
Rolled biscuits	170	2	150	Any	10 – 15
Spooned biscuits	190	2	180	Any	12 – 15
Shortbread biscuits	160	1 or 2	150	Any	30 – 35
Hard individual meringues	110	2	100	Any	90
Soft individual meringues	180	2	165	Any	15 – 20
Pavlova – 6 eggs	110	1	100	Any	75
Patty cakes	190	3	180	Any	15 – 20
Sponge – 4 eggs	180	2	170	Any	20 – 30
Shallow butter cake	180	2	170	Any	25 – 40
Rich fruit cake	140	2	130	Any	180
Shortcrust cornish pasty#	200	2	180	Any	40 – 45
Shortcrust custard tart	200/180	1	180/160		10/35
Cream puffs	210	2	200	Any	25 – 30
Yeast bread	210	1	200	Any	25 – 30

*Shelf position is counted from the bottom up. Bottom shelf is 1.

Turn down temperatures and times shown.

Cooking with the pizza stone

warning

Keep out of reach of children.

Always use oven gloves, the pizza stone will retain heat for a long time.

Always place a heat proof surface under the pizza stone to protect benchtops.

The stone may crack if dropped. Handle with care.

Do not use a damaged or chipped stone.

Do not put a cold pizza stone into a hot oven. It may shatter the stone.

Pizza ovens cook at high temperatures. Do not leave this cooking process unattended. It must be supervised at all times.

Place the stone on the pizza rack as described in the "Before operating your appliance for the first time" section.

Use the middle or lower position

tips

Lightly flour the pizza stone to prevent the dough from sticking. Do not use grease or oils.

Close the lower door.

Turn the lower function knob clockwise to the "Pizza" function.

Turn the lower oven knob clockwise until it points to "Pizza".

The lower oven will now start heating the stone.

Heat the stone for 15 to 20 minutes.

Carefully place the uncooked pizza onto the hot stone. A pizza paddle may help with this (sold separately - contact the customer care team. Refer to the last page for contact details).

Your pizza should be ready between 5 to 8 minutes.

cooking guide

Roasting meat

1. Place the meat in the oven and set the temperature between 180°C and 200°C. (It is recommended to wrap your meats in an oven roasting bag or foil to prevent fats and oils from splattering, making it easier to clean your oven.)
2. Use the grill/oven dish and grill dish insert. Place the meat on the insert.
3. Do not pierce the meat as this will allow juices to escape.
4. When the meat is cooked, take the roast out of the oven, wrap in aluminum foil and leave to stand for about 10 minutes. This will help retain the juices when the meat is carved. The table shows temperatures and cooking times for different kinds of meat. These may vary depending on the thickness or bone content of the meat.

Roasting poultry and fish

1. Place the poultry or fish in an oven set at a moderate temperature of 180°C.
2. Place a layer of foil over the fish for about three quarters of the cooking time.

The table shows temperatures and cooking times for different kinds of fish and poultry. These may vary depending on the thickness or bone content of the meat.

Meat/Poultry/Fish	Recommended temperature °C	Minutes per kilogram
Beef – Rare	200	35 – 40
– Medium	200	45 – 50
– Well done	200	55 – 60
Lamb – Medium	200	40
– Well done		60
Veal – Well done	180	60
Pork – Well done	200	60
Chicken	180	45 – 50
Duck	180 – 200	60 – 70
Turkey	180	40 – 45 (<10kg) 35 – 40 (>10kg)
Fish	180	20

grilling guide

Grilling hints



warning

NOTE: Always clean the grill/oven dish after every use. Excessive fat build up may cause a fire.

Depending on your model of appliance, you will grill:

- With the door open, if you are grilling in the separate grill compartment.
- With the door open or closed, if you are grilling in the oven compartment.

As a method of cooking, grilling can be used to:

- Enhance the flavours of vegetables, fish, poultry and meat.
- Seal the surface of the food and retain the natural juices.

This table shows how to grill different types of meat:

Beef	You can use tenderloin, rump, sirloin. Brush with oil or melted butter, especially if the meat is very lean.
Lamb	You can use loin chops, shortloin chops, chump chops, and forequarter chops. Remove skin or cut at intervals to stop curling. Brush with oil or melted butter.
Sausages	Prick sausages to stop skin from bursting.
Poultry	Divide into serving pieces. Brush with oil.
Fish	Brush with oil or melted butter and lemon juice.
Bacon	Remove rind. Grill flat and make into rolls.

Guide to better grilling

No definite times can be given for grilling because this depends on your own tastes and the size of the food. These times should only be used as a guide and remember to turn the food over halfway through the cooking process.

Steak	15 – 20 minutes
Chops	20 – 30 minutes
Fish	8 – 10 minutes
Bacon	4 – 5 minutes

For better grilling results, follow these easy instructions:

1. Remove oven/grill dish and grill dish insert and preheat the grill for about 3 minutes.
2. Choose only prime cuts of meat or fish. If the cut is less than 5mm thick it will dry out. If the cut is more than 40mm thick, the outside may burn whilst the inside remains raw.
3. Do not place aluminium foil under the food as this prevents fats and oils from draining away, which could result in a fire.
4. Baste the food during cooking with butter, olive oil or marinade. Grilled food is better if marinated before cooking.
5. Use tongs to turn food as a fork pierces the surface and will let juices escape.

Fan Grill (multifunction models only)

If your appliance has Fan Grill as a function, this will assist the grilling process by circulating the heat evenly around the food. The recommended temperature setting is 180°C for all fan grilling functions.

1. Use the grill dish insert and oven dish for all Turbo grilling.
2. Position the dish in the lower half of the oven, for best results.
3. Wipe off any oil or fat which spatters while the oven is still warm.

There is no need to turn the meat as both sides are cooked at the same time which means that the food is succulent.

dealing with cooking problems

Problem	Causes	Remedy
Uneven cooking	Incorrect shelf position	Select shelf that puts food in centre of oven
	Oven tray too large	Try other trays or dishes
	Trays not in centre	Put trays in centre
	Air flow in oven uneven	Rotate food during cooking
	Grill tray affecting thermostat	Remove grill tray from oven on bake modes
Baked products too brown on top	Oven not preheated	Preheat the oven
	Baking tins too large for recipe	Use correct size tins
	Baking tins not evenly spaced	Stagger baking tins at least 3cm between tins and the oven walls
	Products not evenly sized or spaced on trays	Make into same size and shape and spread evenly over trays
Baked products too brown on bottom	Baking tins too large	Use correct size tins
	Baking tins are dark metal or glass	Change to shiny, light coloured tins or lower the temperature by 10°C
	Food too low in oven	Cook one shelf higher
	Oven door opened too frequently during baking	Don't open the oven door until at least half the cooking time has passed
	Baking temperature too high	Lower the temperature
	Grill tray affecting thermostat	Remove grill tray from oven on bake modes
Cakes have a cracked thick crust	Baking temperature too high	Lower the temperature
	Food too high in oven	Cook one shelf lower
	Cake batter over mixed	Mix just long enough to combine the ingredients
	Baking tin too deep	Check size of tin and use recommended size
	Baking tins dark	Change to shiny light coloured tins
Baked products are pale, flat and undercooked	Baking temperature too low	Raise the temperature
	Food too low in oven	Cook one shelf higher
	Baking time too short	Increase cooking time
	Incorrect baking tin size	Use correct size tin
Cakes fallen in centre	Baking temperature too low	Raise the temperature
	Baking time too short	Increase cooking time
	Proportions of ingredients incorrect for recipe	Check recipe
	Opening door too early during baking	Do not open door until the last quarter of cooking time
Roast meat and potatoes not brown in fan oven	Poor hot air circulation	Elevate food onto a rack to allow air circulation
	Grill tray affecting thermostat	Remove grill tray from oven on bake modes
Juices running out of meat		Do not pierce meat with fork, turn with tongs
Grilled meats overcooked on outside & raw in the centre		Grill at lower insert position
Grilled chops & steaks curling		Cut into fat every 2cm (3/4")
Pizza toppings burnt		Use lower shelf

get to know your oven

Get to know your new oven with this 'Simple Test Cake'

Although we strive for a perfect performing oven, it's possible that there will be some variation in colour when baking. Therefore, we suggest to make this easy and delicious Simple Test Cake, it can help you understand your new oven. All ovens do sometimes have hot or cold spots, therefore it is important to judge with your eye as you may require to rotate during baking.

'Simple Test Cake'

125g butter, softened to room temperature

1 cup caster sugar

1 teaspoon pure vanilla essence

4 large eggs

2 cups self-raising flour

Pinch of salt

4 tablespoons (80mL) full-cream milk

Method:

1. Butter base and sides of two, 20cm straight-sided round or square cake pans. Then line the base with grease proof or baking paper.
2. Preheat oven to moderate '180°C' (170°C fan forced) and ensure oven shelf is in the centre position of oven.
3. Cream softened butter and sugar until light in colour.
4. Add vanilla essence.
5. Then eggs one at a time, beating well after each addition.
6. Sift flour and salt into the mixture and beat until well combined.
7. Add milk and beat or stir to combine.
8. Spoon mixture equally between prepared cake pans.
9. Bake in preheated oven, middle shelf for about 25 to 35 minutes or until when tested with a fine cake skewer it comes out clean or the edges of the cakes have come away slightly from the sides of the cake pans.
10. Remove from oven to wire cake rack and rest for 5 minutes before removing from cake pans. Cool completely.

To serve: Sandwich together with your favourite jam or conserve, and dust top with pure icing sugar.

NOTE: If desired, substitute butter for either margarine or olive oil spread.

Recipe is based on the Australian standard metric 250mL cup and 20mL tablespoon sets.

cleaning your appliance

tips & information

Important:

- Always make sure that the oven is electrically isolated before cleaning. This can be done via the functional switch located nearby. Do not use steam cleaners.
- Do not line the bottom of the oven or grill with foil or cookware as trapped heat will crack and craze the floor of the oven.

Enamel inside oven and grill compartments

- Rub persistent stains vigorously with a nylon scourer or creamed powder cleansers.

NOTE: You can also use household oven enamel cleaners – follow the manufacturer's instructions carefully.

- Do not use harsh abrasive cleaners, powder cleaners, steel wool or wax polishes.

Oven

- Always keep your appliance clean. Ensure that fats and oils do not accumulate around elements, burners or fans.
- Always keep the oven dish, bake trays and grill dish insert clean, as any fat deposits may catch fire.
- Always wrap your meats in foil or an oven roasting bag to minimise cleaning. Any polyunsaturated fats can leave a varnish-like residue which is very difficult to remove.

Grill

- Always keep the grill dish insert clean, as any fat deposits may catch fire.

Stainless steel

All grades of stainless steel can stain, discolour or become greasy. You must clean these areas regularly by following the procedures below if you want your appliance to look its best, perform well and have a long life.

Care must be taken when wiping exposed stainless steel edges...they can be sharp!

- Wash with warm soapy water and rinse with clean water.
- If you want a better look, wipe your appliance with a suitable stainless steel cleaner then wipe with a soft lint free cloth.
- Use a stainless steel cleaner only where the stainless steel is extremely dirty and/or discoloured. A suitable cleaner can be purchased from Electrolux Service or Spares. See back cover.

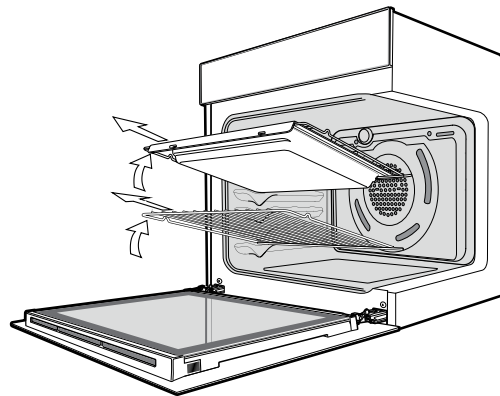
Glass

- Glass surfaces on doors are best cleaned immediately after soiling.
- A damp cloth may help remove baked on food deposits.
- Oven cleaners can be used to remove stubborn marks and stains.

Control panel & door trim

- Wash with soapy water and rinse with clean water. Wipe dry with a soft, lint free cloth.
- Do not use harsh abrasive cleaners, powder cleaners, steel wool or wax polishes.

Oven accessories



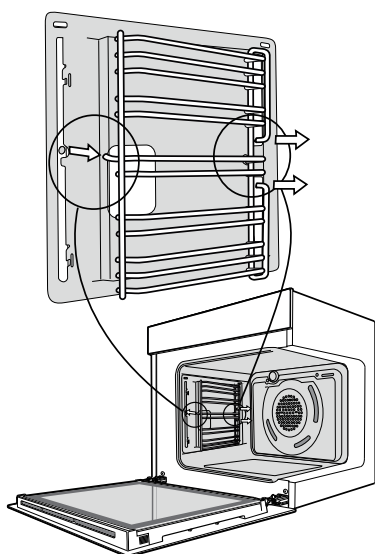
Removing the grill dish and shelves from your appliance

- Slide the shelves towards you until they reach the front stop.
- Tilt them up at the front, taking care not to spill any contents.
- Lift them clear.
- Wash the grill dish, grill dish insert and the shelves in hot soapy water.
- Reverse the above steps to put the grill dish and shelves back again.

cleaning your appliance

Removing the wire side racks (where applicable)

- Grasp the middle wire at the front.
- Pull firmly inwards.
- After cleaning in hot soapy water, reinstall the side racks by inserting the rear pins first.

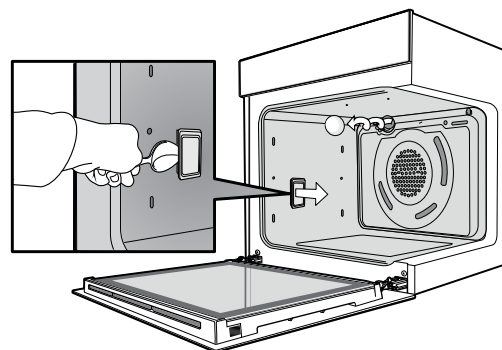


Removing and replacing the oven back light and side light (where fitted)

- Turn oven back light glass anticlockwise to remove it for globe replacement.
- To remove side light, place a spoon under the light glass and lever off. Replace globe and snap glass cover back into position.
- A special high temperature resistant globe should be used. This can be purchased from Electrolux Customer Care Centre. See last page.

warning

Make sure the appliance is turned off before you remove or replace parts, to avoid the possibility of electric shock.

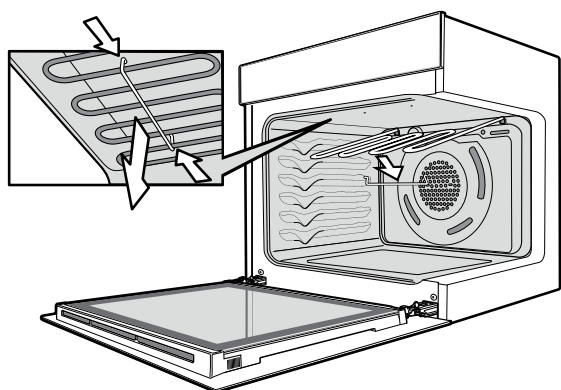


cleaning your appliance

Releasing the grill element

Retaining wire models

We have designed the upper element with a hanger clip to help you reach your oven roof for cleaning.



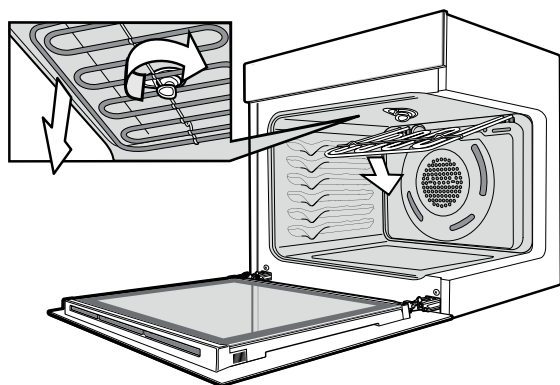
- Lift element up carefully.
- Push the sides of the clip together.

The element will drop down freely.

Rotating latch models

- Rotate latch 180°.

The element will drop down freely.



Pizza stone



warning

Always wait until the stone is cool before cleaning. The pizza stone will retain heat for a long time.

Never use soap or detergent to wash your pizza stone. Only use plain water.

Do not put a hot stone into water. It may cause the stone to crack. Allow the stone to cool down first.

Do not soak your pizza stone in water. Too much moisture may crack the pizza stone during the next use.

The best way to clean the pizza stone is to scrape off excess food build up with a metal spatula.

If you feel it is necessary to clean with water, use a clean sponge and wipe away the food or grime from the surface using plain water.

Store your pizza stone in a safe and dry place, to ensure it is fully dried before the next use.

Your pizza stone will gradually get darker and will also obtain some stains with use. This is normal. It will not affect the taste of the food on the stone, or impact performance, and it is part of the natural seasoning of the stone.

cleaning your oven door

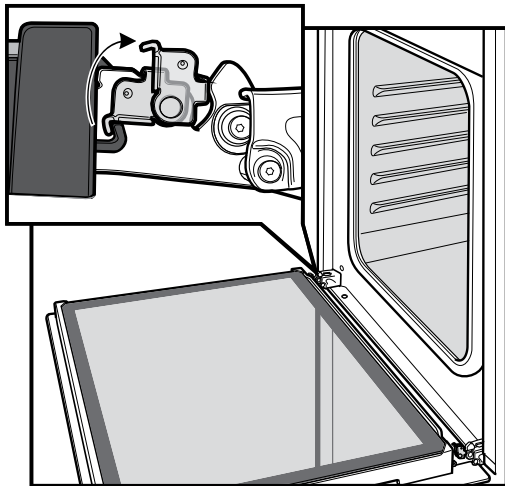
warning

Do not lift the door by the handle. Rough handling will cause glass to break.

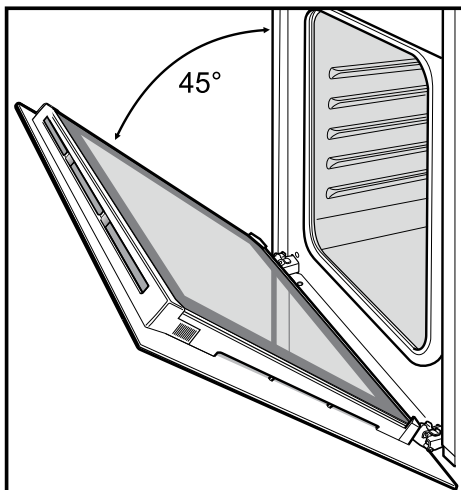
Removing the oven door

Your oven is equipped with a door that can be disassembled in order to clean all the panes of glass. Remove the door before cleaning.

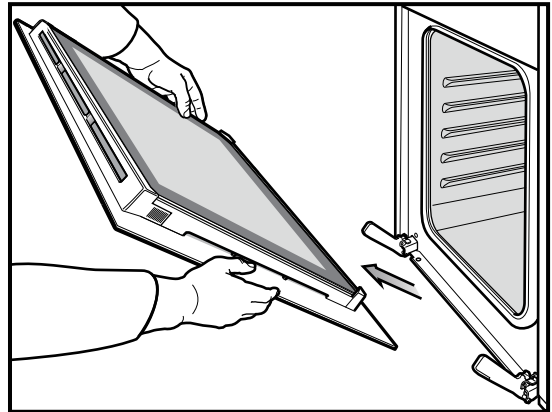
- Open the door fully to access the hinges then rotate the 'stirrups' (highlighted in the image) on both hinges fully towards the oven.



- Slowly close the oven door until it stops against the 'stirrups' (about 45°).



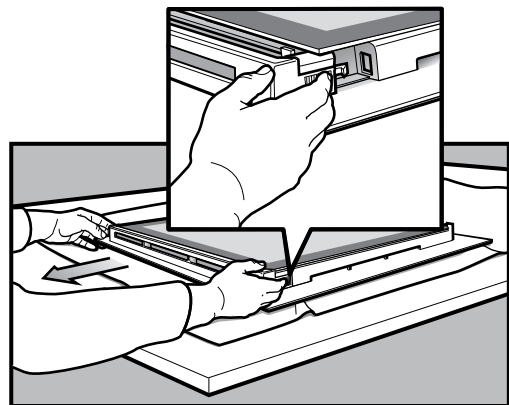
- Grasp the oven door with a hand each side of the door and remove it from the oven by pulling it towards you.



- Lay the oven door with the outer side facing downwards on something soft and flat (for example a blanket on a kitchen table) to prevent scratches.

Removing oven door top trim

- Take hold of the grid embossed sections of the door trim at each end and press inwards to release the clips. Remove the door trim by pulling it towards you.



cleaning your oven door

Removing door glass panels (2 layer and 3 layer doors)

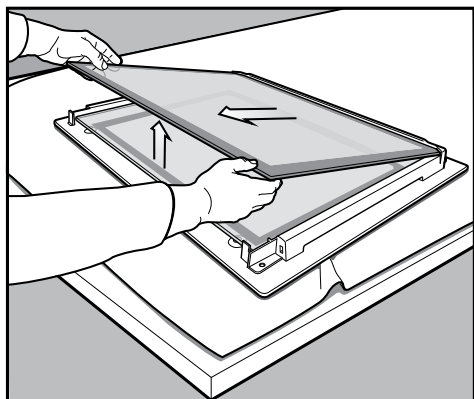


warning

Rough handling, especially around the edges can cause the glass to break.

- Lift the black bordered glass panel out of the guide.
- Repeat this for the smaller clear glass panel (when fitted).

3 layer door shown



Cleaning door glass panels

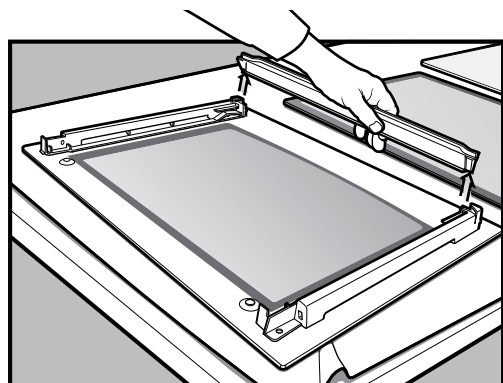


warning

Do not use harsh abrasives on the glass panes as the reflective surface plays a role in the function of the oven. Do not place glass in dishwasher. Hand wash only with a soft cloth and warm soapy water. When dry, polish with a soft cloth and ensure the glass is dry before reassembly.

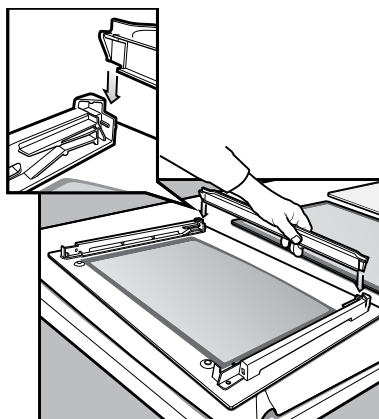
Bottom trim (where applicable)

- The bottom trim may be removed for cleaning by snapping out and lifting away from the glass.



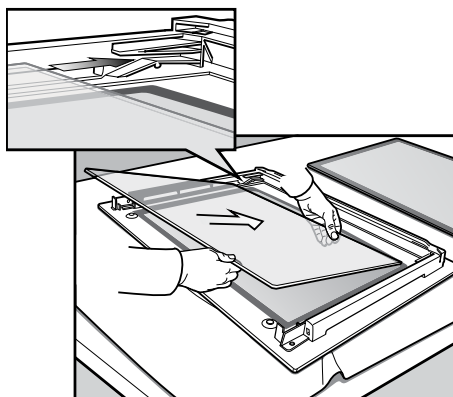
Re-assembling bottom trim

- Push down to "snap" each side of bottom trim back into door columns.

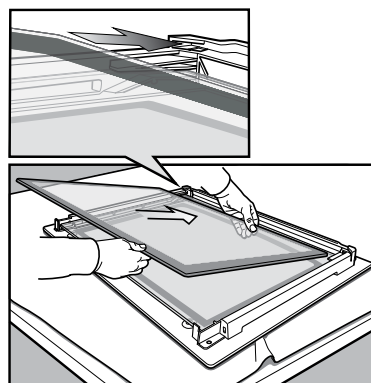


Re-assembling door glass panels

- Insert the smaller clear glass panel (when fitted) first from above and at an angle to the profile of the door.



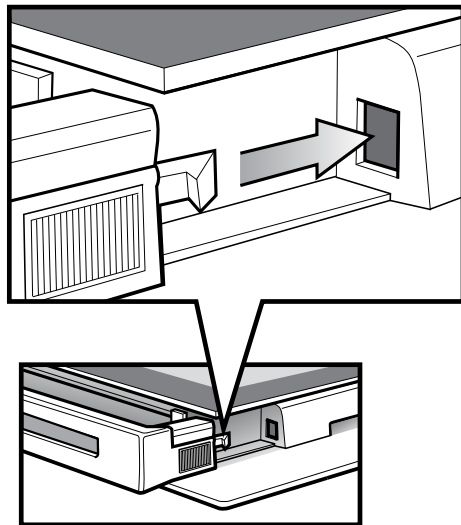
- Repeat for the black bordered glass panel ensuring the painted surface is facing to the downside.



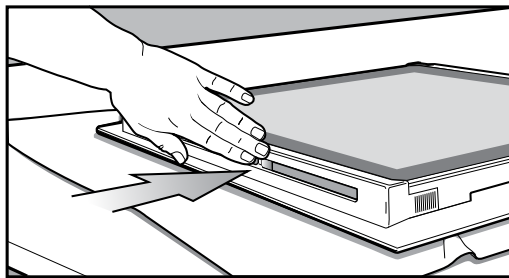
cleaning your oven door

Re-assembling top door trim

- Hold the top door trim at each side and position it to the inside edge of the glass.
- Push the trim down with its top edge over glass panel until the clip snaps in on each side of the trim.

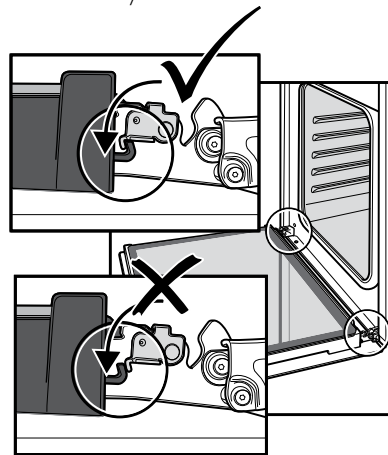


- Push the middle of the trim down to ensure it is straight and firm against the glass panel.



Fitting the oven door

- Take hold of the oven door with a hand on each side and with the door at an angle of 45°, position the recesses at the bottom of the door onto the hinge arms of the oven. Let the door slide down the hinge arms as far as it will go.
- Open the door fully to access the hinges then rotate the 'stirrups' (highlighted in the image) on both hinges back to their original positions.
- The oven door may now be closed.



cleaning your oven door (pyrolytic models)

Cleaning the 4 layer door (Pyrolytic models)



caution

Do not lift the door by the handle. Rough handling will cause glass to break.

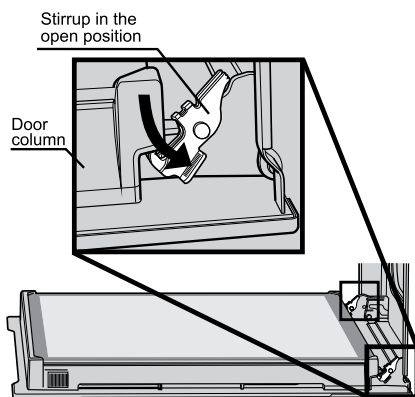
Removing the oven door



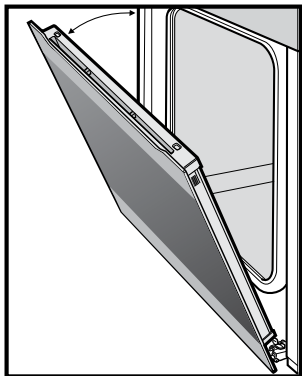
important

Your oven is equipped with a door that can be disassembled in order to clean all the panes of glass. Remove the door before cleaning.

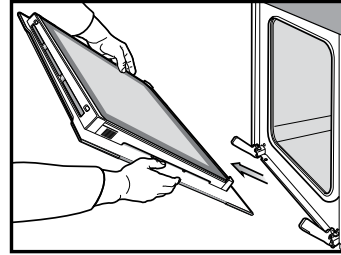
- Open the door fully to access the hinges then rotate the 'stirrups' (highlighted in the image) on both hinges fully to open position.



- Slowly close the oven door until it stops against the 'stirrups' (about 30°).



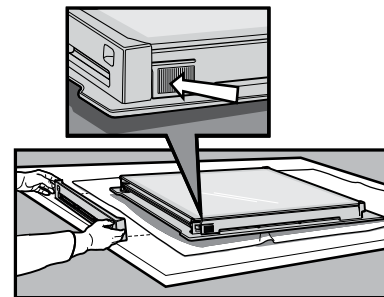
- Hold the oven door with a hand each side and remove it from the oven by pulling it towards you.



- Lay the oven door with the outer side facing downwards on something soft and flat (for example a blanket on a kitchen table) to prevent scratches.

Removing oven door top trim

- Hold the embossed sections of the door columns at each end and press inwards to release the clips. Remove the upper door trim by pulling it towards you.



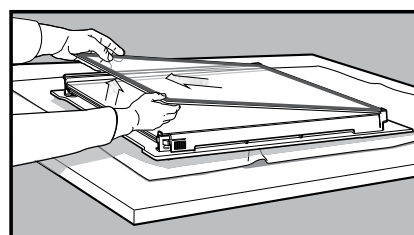
Removing the door glass panels



caution

Rough handling, especially around the edges can cause the glass to break.

- Lift the black bordered glass panel out of the guide and place on something soft and flat to prevent scratches.
- Repeat this for the smaller clear glass panels.
- When removing panel 3, ensure that the two rubber spacers are removed before cleaning. Do not misplace them!



cleaning your oven door (pyrolytic models)

Cleaning the door glass panels



caution

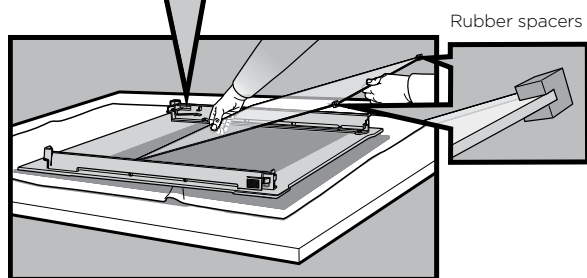
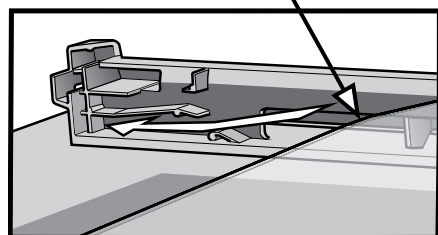
Do not to use harsh abrasives on the glass panes as the reflective surface plays a role in the function of the oven. Do not place glass in dishwasher. Hand wash only with a soft cloth and warm soapy water. When dry polish with a soft cloth and ensure the glass is dry before reassembly.

Re-assembling the 4 layer oven door

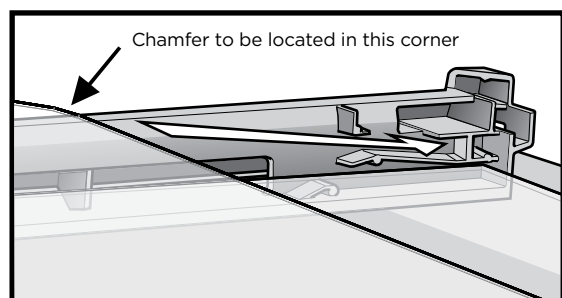
Re-assembling the door glass panels

- Assemble the rubber spacers to the upper corners of one of the clear glass panels. Position the panel into the lower position of the door, ensuring the chamfered corner of the panel is placed in the correct location as shown in the next diagram.

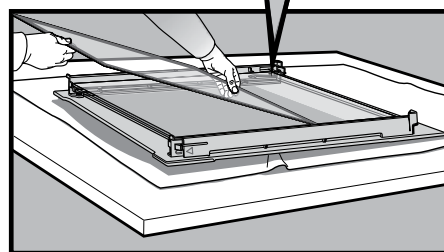
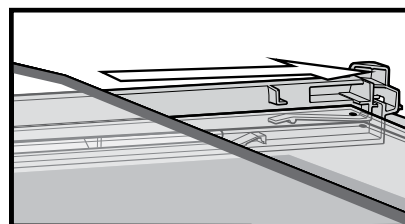
Chamfer to be located in this corner



- Insert the remaining smaller clear glass panel into the middle position, ensuring the chamfered corner of the panel is placed in the correct location as shown in the diagram below.

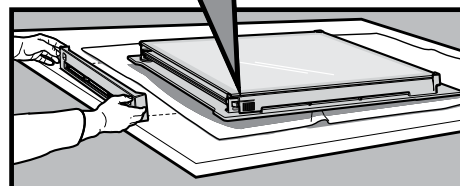
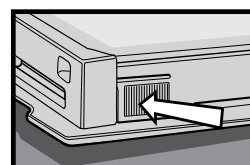


- Insert the black bordered glass panel into the upper position, ensuring the painted surface is facing the downside as per the diagram below..



Replacing the top door trim

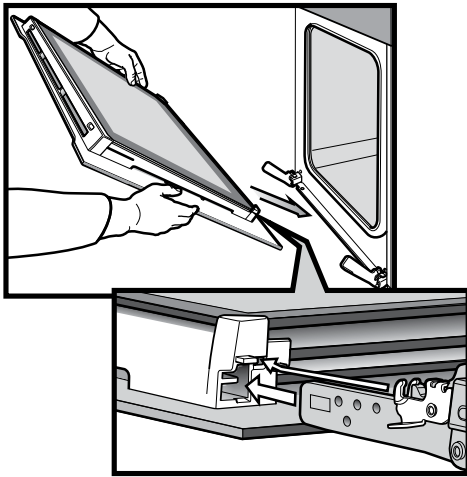
- Hold the top door trim at each side and position it to the inside edge of the glass.
- Push the trim down with its top edge over the glass panel until the clip snap in on each side of the trim.
- Push the middle of the trim down to ensure it is straight and firm against the glass panel.



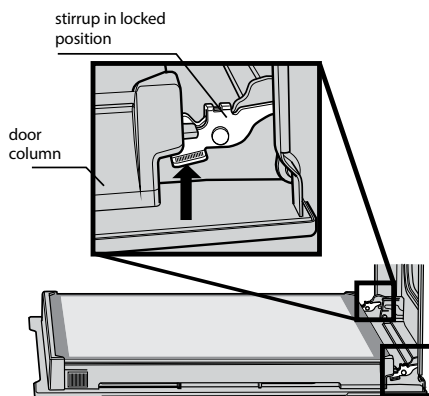
cleaning your oven door (pyrolytic models)

Fitting the oven door

- Take hold of the oven door with a hand on each side and with the door at an angle of 30°, position the recesses at the bottom of the door onto the hinge arms of the oven. Let the door slide down the hinge arms as far as it will go.



- Open the door fully to access the hinges.
- Rotate the 'stirrups' (see the image below) until they lock into the hook. The oven door may now be closed.



pyrolytic cleaning

Pyrolytic Cleaning of the Oven Cavity (Pyrolytic models only)

The oven has a pyrolytic self-cleaning function. It cleans by burning off the spatters and accumulated dirt and grease from the oven liner, at high temperature. This process produces ash which can then be wiped out of the oven cavity. It is recommended you clean your oven regularly to keep the oven in its best condition.

- Light clean - this is an energy saving cycle that can be used on a regular basis if the oven is lightly soiled. Possibly after every 2nd or 3rd roast.
- Normal clean - use this as the regular cycle about once every 2-3 months.

Before carrying out the Pyrolytic cleaning function



warning

- Clean large deposits, spills or grease from the oven cavity.
- Please keep small children at a safe distance. The appliance becomes very hot.
- Never clean non-stick baking trays and tins in the oven during the pyrolytic cycle. High temperatures damage the non-stick coating and poisonous gas is released.
- Pyrolytic cleaning can release fumes that are not harmful to humans, including infants or persons with medical conditions, however you are strongly advised to provide good ventilation during and after each pyrolytic cleaning process.
- Unlike humans, some birds and reptiles can be extremely sensitive to the potential fumes emitted during the pyrolytic cleaning process. It is strongly advised to remove any pets (especially birds) from the vicinity of the appliance during and after each pyrolytic cleaning process.
- Small pets can also be highly sensitive to the localized temperature changes in the vicinity of all pyrolytic ovens when the pyrolytic self cleaning program is in operation.



caution

- All accessories must be removed from the oven, including shelves, trays and side racks.
- During pyrolytic cleaning the air outlet vent above the door must be kept clear of any obstruction (e.g. tea towels).

- Do not use your oven to clean miscellaneous items (e.g. cookware).
- To prevent damage, do not use acids, sprays or similar cleaning agents.



important

During the pyrolytic cleaning function, it is advisable not to use a cooktop if it is fitted above the oven. This could cause overheating and damage to both appliances. The cooling fan will operate at an increased speed for Pyrolytic cleaning and will continue to run until the oven has cooled down. It is recommended to use the Pyro clean function regularly to keep the oven in its best condition.

Starting the Pyrolytic cleaning function

- Turn the oven "Function" selector clockwise to select the "Pyro" function.
- Use the + or - buttons on the electronic clock to select between a pyrolytic cleaning time of 1:30 hours (light clean) or 2:30 hours (normal clean) for the appropriate level of cleaning required.
- After 5 seconds from the last change, the oven will begin heating and the "Remaining time" will be displayed.
- The pyrolytic cleaning function can be stopped at any time during the cycle by turning the function selector counter-clockwise to the "OFF" position.

During Pyrolytic cleaning

When the temperature in the oven approaches 300°C the door will automatically lock and a padlock symbol will appear on the display.

After Pyrolytic cleaning

The door will only unlock when the oven has cooled to a safe temperature. Turning the function off will not unlock the door.

After cool-down, wipe the ash out of the oven with a soft damp cloth and warm water. To restore the enamel shine to more difficult areas, use a damp cloth with vinegar and detergent.

Note: The "Remaining time" does not include cool-down time for the oven.

solving problems

Faults

If there is a problem with the oven and/or grill, please:

- Check the points listed below before calling for service. It may be possible to avoid a call by fixing the problem yourself – and so continue cooking.
- For cooking problems refer to “Dealing with cooking problems” section.

NOTE: We may charge for service even in the warranty period if your problem is due to the causes listed below.

Data Plate

When you need information, service or replacement parts please:

- Tell us the model number & serial number shown on the data plate.

The data plate is visible when the oven or grill door is open.

Problem	Possible Cause
Oven or grill not working	<ul style="list-style-type: none"> • Time of day not set. • Power not turned on. • Controls are incorrectly set. • Household fuse has blown or power supply is off. • Child-proof oven lock activated. (Refer to operating instructions) <p><i>NOTE: If the household fuse continues to blow, call the Electrolux Customer Care Centre.</i></p>
Oven light not working	<ul style="list-style-type: none"> • Lamp blown or loose in socket. • Household fuse has blown. <p><i>NOTE: If the household fuse continues to blow, call the Electrolux Customer Care Centre.</i></p>
Oven not heating enough	<ul style="list-style-type: none"> • Foil or trays on bottom of oven.
Oven not working	<ul style="list-style-type: none"> • Household fuse has blown. <p><i>NOTE: If the household fuse continues to blow, call the Electrolux Customer Care Centre.</i></p>
Timer flashing on display	<ul style="list-style-type: none"> • Power failure or interruption. <p><i>NOTE: Reset time of day and any cooking functions you were using. (Refer to clock operating instructions)</i></p>
Unit smoking when first used	<ul style="list-style-type: none"> • Protective oils being removed. This will eventually stop after some time.
Condensation building up	<ul style="list-style-type: none"> • Reduce amount of water used in cooking. (Some condensation is normal)
Door cannot be replaced after removal	<ul style="list-style-type: none"> • Stirrup not engaged properly.
Shelves tight in oven	<ul style="list-style-type: none"> • Shelf not in correct orientation.
Functions and temperature appear on display but oven does not work	<ul style="list-style-type: none"> • Oven is in “Demo” mode. Refer to “Operating the programmable clock” instructions.
When the door is open the fan stops (pyrolytic models only)	<ul style="list-style-type: none"> • This is a feature of the oven to help reduce the blast of air when opening the door.
When a non fan mode is selected the fan starts	<ul style="list-style-type: none"> • Most oven modes have a fast heat up function that uses the fan, oven fan element and grill elements. Auto fast heat up can be overridden by selecting a temperature of 120°C or less, allowing the function to start, then increasing the temperature to the desired level.
The light stays on when the door is closed	<ul style="list-style-type: none"> • An oven function has been selected. • The light has been turned on at the control panel.
The light does not turn on when the door is opened	<ul style="list-style-type: none"> • Oven light may need replacing.

When you need information, service or replacements please quote:

1. Model Number
2. Serial Number: You can find these on the data plate, which can be seen when the oven door is open. If you need more information, please contact the Customer Care Centre on 1300 363 640 (Australia – Centre is open 8.00am to 5.00pm Monday to Friday EST) or 0800 234 234 (New Zealand – Centre is open 8.00am to 5.00pm Monday to Friday). Only authorised service centres should carry out servicing, otherwise warranty may be void. If you have a warranty or spare parts enquiry, you should call the numbers listed on the back page.

installation

warning

USE AN AUTHORISED PERSON

As stated in the local municipal building codes and other relevant statutory regulations:

- Wiring connections must be in accordance with AS/NZS 3000 Wiring Rules and any particular conditions of the local authority.
- Refer to data plate for rating information. The data plate is positioned behind the bottom of the oven door.
- A means of disconnection with a contact separation of at least 3mm must be supplied in the fixed wiring.
- Wiring should be protected against mechanical failure. Refer to AS/NZS 3000 clause 3.9
- To gain access to the mains connection terminals, remove the rear panel by unscrewing the 2 assembly screws.
- This appliance must be connected with cable of 75°C rating minimum.
- This product has passed the insulation resistance test after manufacture. If the resistance reading is low at installation, it is probably caused by moisture from the atmosphere being absorbed by the elements after the appliance has been produced. (pass at 0.01MΩ AS/NZS 3000 Wiring Rules Clause 8.3.6.2).

NOTE: Where connection is made to a multi-phase 240V supply, the bridge piece should be removed from between the active connections.

warning

IMPORTANT: This appliance must be properly earthed.

- Do not lift the appliance by the door handles.
- Prepare the cupboard opening to match your appliance measurements (See diagrams).
- Slide appliance into the cupboard, ensuring that the supply cable (where fitted) does not kink.
- To prevent tipping, use the screws supplied to secure your oven into the cupboard. Use just 2 screws for single cavity ovens and 4 screws for dual cavity. Remove the bottom door in dual cavity ovens to provide access to the bottom 2 screwing points (Refer to diagrams).
- For appliances fitted with a supply flexible cord, if the cord is damaged, it must be replaced by the manufacturer or its service agent or similarly qualified person in order to avoid a hazard. The plug must be accessible after installation.
- Where the appliance is built into a cabinet, the cabinet material must be capable of withstanding 70°C. Installation into low temperature tolerant cabinetry (e.g. vinyl coated) may result in deterioration of the low temperature coating by discolouring or bubbling.
- If the appliance is installed adjacent to vinyl-wrapped surfaces, use an installation kit available from the vinyl-wrap supplier.
- Electrolux Home Products cannot accept responsibility for damage caused by installation into low temperature tolerant cabinets.
- After installation, test and ensure that the appliance operates correctly before handing it over to the customer.

warning

CAUTION: To avoid any potential hazard, you must follow our instructions below when you install your appliance. Failure to install the appliance correctly could invalidate any warranty or liability claims and lead to prosecution.

installation

Cabinet construction for your appliance

For the best integration within a kitchen, install this appliance in a standard 600mm wide cupboard that gives a flush fit with the surrounding cupboard fronts (figure A). A recess of 20mm is ideal.

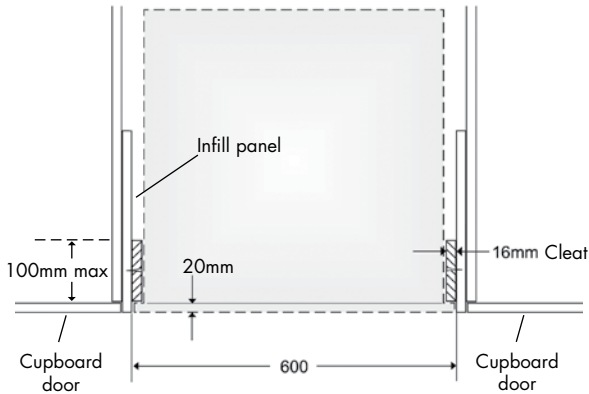


Figure A - Flush fit (top view)

This appliance it can also be installed using a proud fit with the surrounding cupboard (figure B).

NOTE: Your appliance must be mounted on a flat, horizontal surface for the full width and depth of the product.

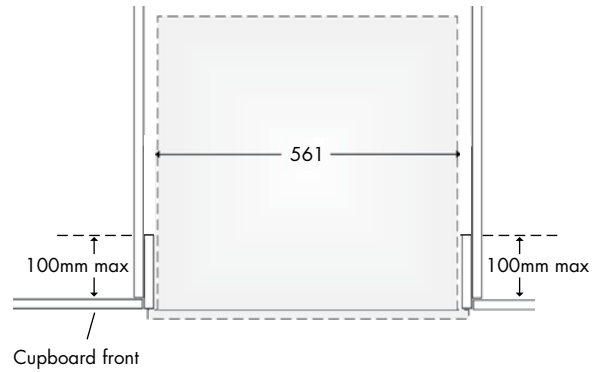


Figure B - Proud fit (top view)

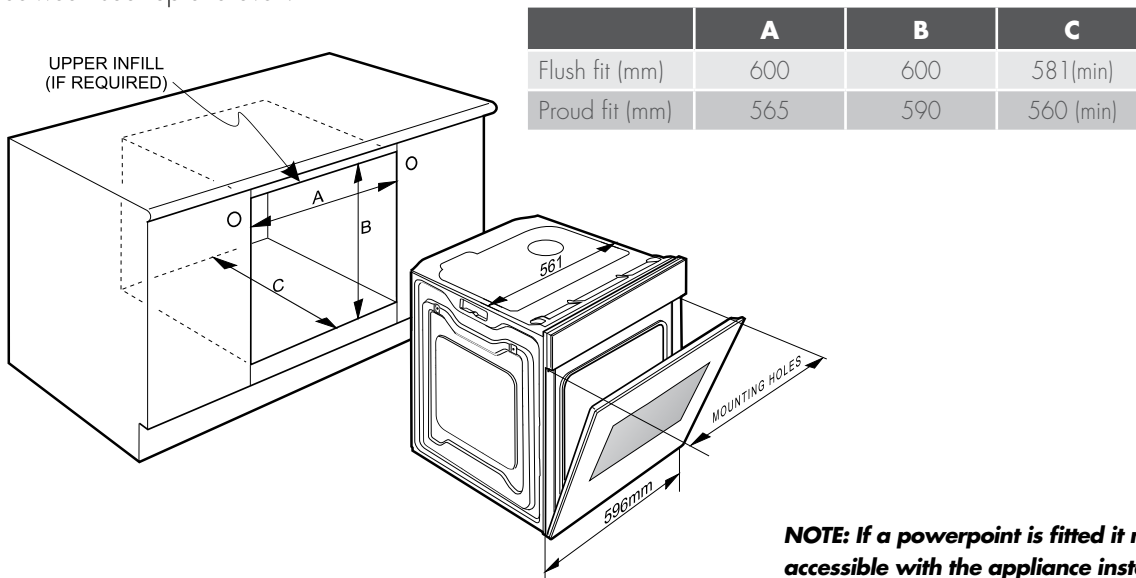
Oven dimensions

Underbench Oven	597 x 596 x 573mm (HxWxD)
Separate Grill Wall Oven	890 x 596 x 573mm (HxWxD)

Underbench ovens

Your underbench oven looks best when the control panel is directly under the benchtop. An upper infill panel may have to be added if the cooktop placed above the benchtop is too deep.

Refer to cooktop installation instructions for required clearance between cooktop and oven.



NOTE: If a powerpoint is fitted it must be accessible with the appliance installed.

installation

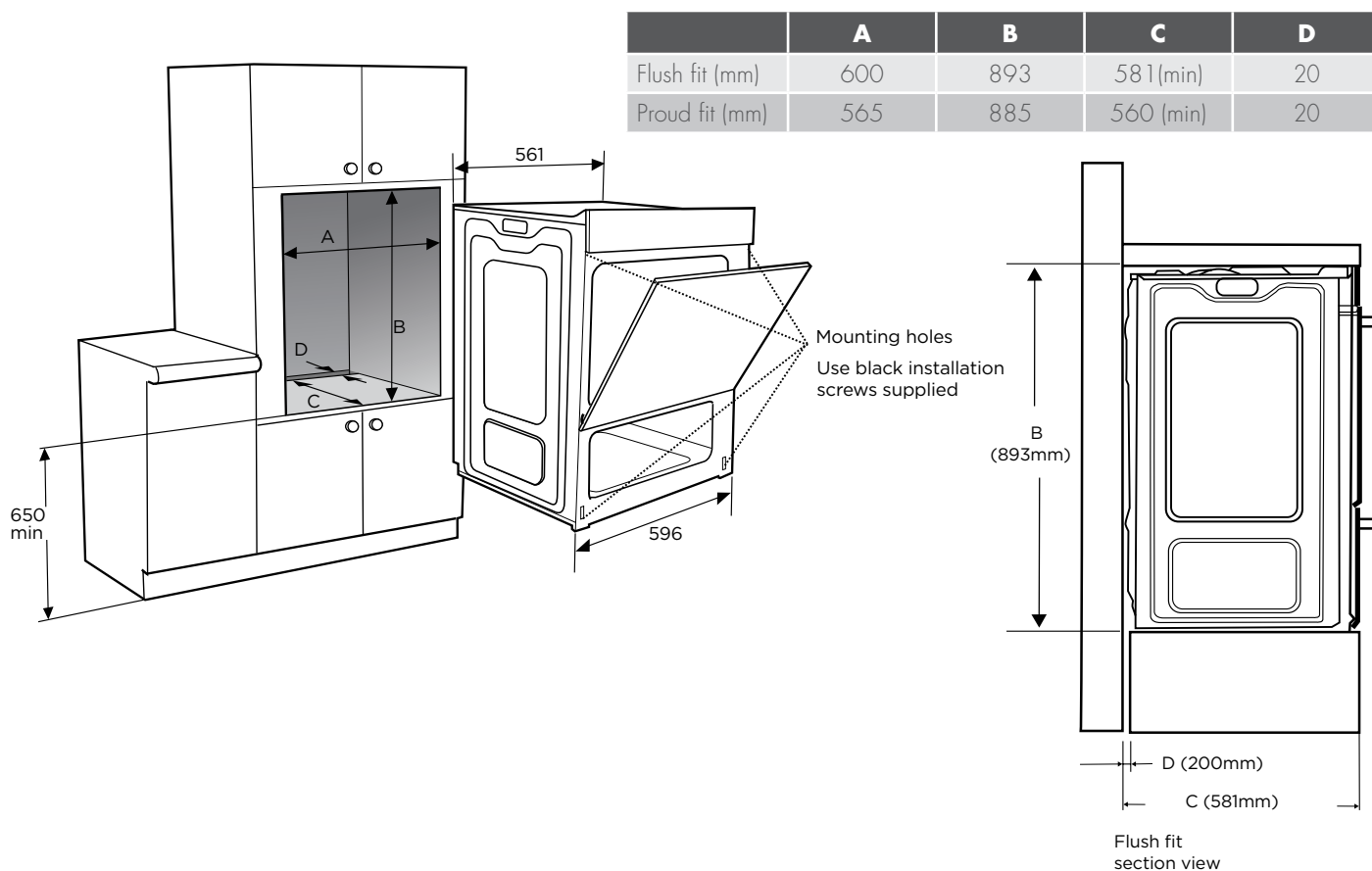
Separate grill wall oven & pizza oven



caution

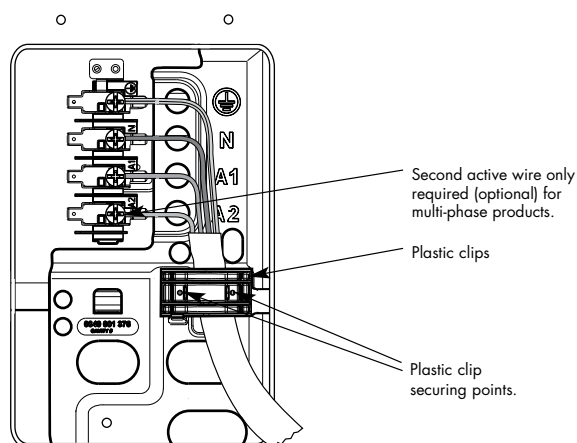
Note: Dimension "D".

A requirement for all separate grill wall ovens and all Duo ovens – for proper ventilation there must be a gap at the bottom rear of the cabinet. This must be a full width opening 20mm deep.



Hard wiring detail

1. Remove terminal cover plate from rear panel of appliance.
2. Fit wires through hole in cover plate and make connections to terminals.
3. Engage wires into plastic clip. Secure plastic clip with two long silver screws (supplied in separate bag).
4. Replace cover plate onto rear panel.



installation

Pyrolytic underbench oven-flush fit only

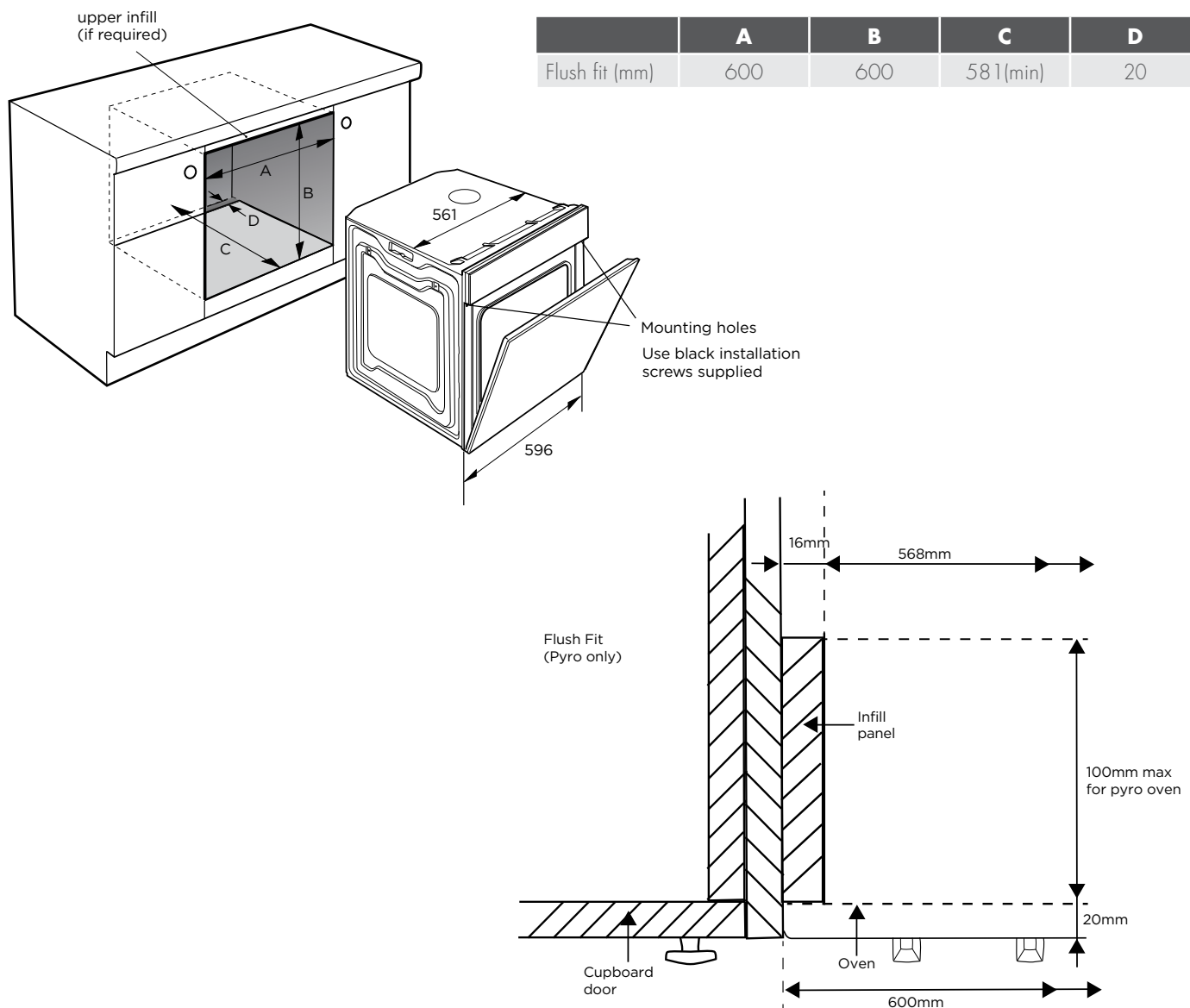
Your underbench oven looks best when the control panel is directly under the benchtop. An upper infill panel may have to be added if the cooktop placed over the oven is too deep. Refer to cooktop installation instructions for required clearance between cooktop and oven.



caution

Note: Dimension "D".

A requirement for all pyrolytic clean ovens – for proper ventilation there must be a gap at the bottom rear of the cabinet. This can be a full width opening 20mm deep.





FOR SALES IN AUSTRALIA AND NEW ZEALAND
 APPLIANCE: BUILT-IN OVEN, COOKTOP
 AND FREESTANDING COOKERS

This document sets out the terms and conditions of the product warranties for Electrolux Appliances. It is an important document. Please keep it with your proof of purchase documents in a safe place for future reference should you require service for your Appliance.

1. In this warranty:
 - (a) 'acceptable quality' as referred to in clause 10 of this warranty has the same meaning referred to in the ACL;
 - (b) 'ACL' means Schedule 2 to the Competition and Consumer Act 2010;
 - (c) 'Appliance' means any Electrolux product purchased by you and accompanied by this document;
 - (d) 'ASC' means Electrolux authorised service centres;
 - (e) 'Electrolux' means Electrolux Home Products Pty Ltd of 163 O'Riordan Street, Mascot NSW 2020, ABN 51 004 762 341 in respect of Appliances purchased in Australia and Electrolux (NZ) Limited (collectively 'Electrolux') of 3-5 Niall Burgess Road, Mount Wellington, in respect of Appliances purchased in New Zealand;
 - (f) 'major failure' as referred to in clause 10 of this warranty has the same meaning referred to in the ACL and includes a situation when an Appliance cannot be repaired or it is uneconomic for Electrolux, at its discretion, to repair an Appliance during the Warranty Period;
 - (g) 'Warranty Period' means the Appliance is warranted against manufacturing defects in Australia for 24 months and in New Zealand for 24 months, following the date of original purchase of the Appliance;
 - (h) 'you' means the purchaser of the Appliance not having purchased the Appliance for re-sale, and 'your' has a corresponding meaning.
2. This warranty only applies to Appliances purchased and used in Australia or New Zealand and used in normal domestic applications and is in addition to (and does not exclude, restrict, or modify in any way) any non-excludable statutory warranties in Australia or New Zealand.
3. During the Warranty Period Electrolux or its ASC will, at no extra charge if your Appliance is readily accessible for service, without special equipment and subject to these terms and conditions, repair or replace any parts which it considers to be defective. Electrolux or its ASC may use remanufactured parts to repair your Appliance. You agree that any replaced Appliances or parts become the property of Electrolux. This warranty does not apply to light globes, batteries, filters or similar perishable parts.
4. Parts and Appliances not supplied by Electrolux are not covered by this warranty.
5. To the extent permitted by law, you will bear the cost of transportation, travel and delivery of the Appliance to and from Electrolux or its ASC. If you reside outside of the service area, you will bear the cost of:
 - (a) travel of an authorised representative;
 - (b) transportation and delivery of the Appliance to and from Electrolux or its ASC.

In all instances, unless the Appliance is transported by Electrolux or an Electrolux authorised representative, the Appliance is transported at the owner's cost and risk while in transit to and from Electrolux or its ASC.
6. Proof of purchase is required before you can make a claim under this warranty.

7. You may not make a claim under this warranty unless the defect claimed is due to faulty or defective parts or workmanship. Electrolux is not liable in the following situations (which are not exhaustive):
 - (a) the Appliance is damaged by:
 - (i) accident
 - (ii) misuse or abuse, including failure to properly maintain or service
 - (iii) normal wear and tear
 - (iv) power surges, electrical storm damage or incorrect power supply
 - (v) incomplete or improper installation
 - (vi) incorrect, improper or inappropriate operation
 - (vii) insect or vermin infestation
 - (viii) failure to comply with any additional instructions supplied with the Appliance;
 - (b) the Appliance is modified without authority from Electrolux in writing;
 - (c) the Appliance's serial number or warranty seal has been removed or defaced;
 - (d) the Appliance was serviced or repaired by anyone other than Electrolux, an authorised repairer or ASC.
8. This warranty, the contract to which it relates and the relationship between you and Electrolux are governed by the law applicable where the Appliance was purchased. Where the Appliance was purchased in New Zealand for commercial purposes the Consumer Guarantee Act does not apply.
9. To the extent permitted by law and subject to your non-excludable statutory rights and warranties, Electrolux excludes all warranties and liabilities (other than as contained in this document) including liability for any loss or damage whether direct or indirect arising from your purchase, use or non use of the Appliance.
10. For Appliances and services provided by Electrolux in Australia, the Appliances come with a guarantee by Electrolux that cannot be excluded under the ACL. You are entitled to a replacement or refund for a major failure and for compensation for any other reasonably foreseeable loss or damage. You are also entitled to have the Appliance repaired or replaced if the Appliance fails to be of acceptable quality and the failure does not amount to a major failure. The benefits to you given by this warranty are in addition to your other rights and remedies under a law in relation to the Appliances or services to which the warranty relates.
11. At all times during the Warranty Period, Electrolux shall, at its discretion, determine whether repair, replacement or refund will apply if an Appliance has a valid warranty claim applicable to it.
12. For Appliances and services provided by Electrolux in New Zealand, the Appliances come with a guarantee by Electrolux pursuant to the provisions of the Consumer Guarantees Act, the Sale of Goods Act and the Fair Trading Act.
13. To enquire about claiming under this warranty, please follow these steps:
 - (a) carefully check the operating instructions, user manual and the terms of this warranty;
 - (b) have the model and serial number of the Appliance available;
 - (c) have the proof of purchase (e.g. an invoice) available;
 - (d) telephone the numbers shown below.
14. You accept that if you make a warranty claim, Electrolux and its ASC may exchange information in relation to you to enable Electrolux to meet its obligations under this warranty.

Important Notice

Before calling for service, please ensure that the steps listed in clause 13 above have been followed.

<p>FOR SERVICE or to find the address of your nearest state service centre in Australia PLEASE CALL 13 13 49 <small>For the cost of a local call (Australia only)</small></p>	<p>SERVICE AUSTRALIA ELECTROLUX HOME PRODUCTS electrolux.com.au</p>	<p>FOR SPARE PARTS or to find the address of your nearest state spare parts centre in Australia PLEASE CALL 13 13 50 <small>For the cost of a local call (Australia only)</small></p>
<p>FOR SERVICE or to find the address of your nearest authorised service centre in New Zealand FREE CALL 0800 10 66 10 <small>(New Zealand only)</small></p>	<p>SERVICE NEW ZEALAND ELECTROLUX (NZ) Limited electrolux.co.nz</p>	<p>FOR SPARE PARTS or to find the address of your nearest state spare parts centre in New Zealand FREE CALL 0800 10 66 20 <small>(New Zealand only)</small></p>

like to know more?

For further information on all appliances, or to obtain detailed dimension and installation information, call into your Retailer, phone or email our Customer Care team or visit our website:

Australia

phone: 1300 363 640

fax: 1800 350 067

email: customercare@electrolux.com.au

website: chef.com.au

New Zealand

phone: 0800 234 234

fax: 0800 363 600

email: customercare@electrolux.co.nz

website: simpson.co.nz

Top service

Top Service encompasses the after sales service provided by The Electrolux Group to consumers including delivery, home service and spare parts.

**We are part of the Electrolux family.
To add a touch of professional inspiration to your home, visit electrolux.com**

© 2016 Electrolux Home Products Pty Ltd

ABN 51 004 762 341

Part No. A05554001 Rev 001 ECN 16A001A

Print code: UMAN_OVEN_Jun16