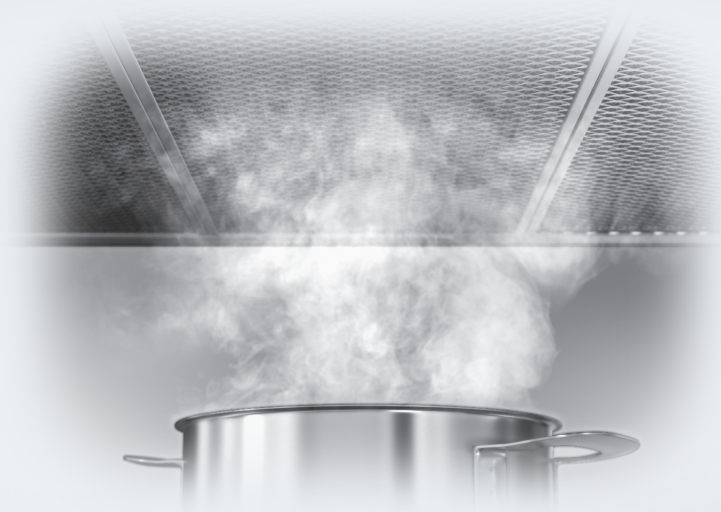


# Operating and installation instructions

## Rangehood



To prevent the risk of accidents or damage to the appliance, it is **essential** to read these instructions before it is installed and used for the first time.

# Contents

---

<b>Warning and Safety instructions</b> .....	4
<b>Caring for the environment</b> .....	13
<b>Guide to the appliance</b> .....	14
<b>Description of the functions</b> .....	16
<b>Operation</b> .....	17
Joystick .....	17
Switching the fan on .....	17
Selecting a power setting .....	17
Selecting the run-on time .....	18
Switching the fan off .....	18
Safety switch-off .....	19
Operating hours counter .....	19
Altering the operating hours counter for the grease filters .....	19
Activating and altering the operating hours counter for the NoSmell active charcoal filters .....	20
<b>Energy saving tips</b> .....	22
<b>Cleaning and care</b> .....	23
Housing .....	23
Grease filters .....	23
NoSmell active charcoal filters .....	25
Resetting the operating hours counter for the charcoal filters .....	26
Disposing of the charcoal filters .....	26
Changing a halogen lamp .....	27
<b>After sales service and warranty</b> .....	28
Position of the data plate .....	28
<b>Installation</b> .....	29
Before installation .....	29
Appliance dimensions .....	30
Safety distance (S) .....	31
Installation recommendations .....	32
Building in .....	32
Set up for extraction mode .....	33
Set up for recirculation mode .....	34
Fitting the joystick .....	35
Joystick extension .....	35
Mains connection .....	36

# Contents

---

<b>Electrical connection</b> .....	37
<b>Connection for air extraction</b> .....	38
Condensate trap .....	39
Silencer .....	40
<b>Technical data</b> .....	41

## Warning and Safety instructions

---

This appliance complies with all relevant local and national safety requirements. Inappropriate use can, however, lead to personal injury and damage to property.

To avoid the risk of accidents and damage to the appliance, please read these instructions carefully before using it for the first time. They contain important notes on the safety, installation, use and maintenance of the appliance. Miele cannot be held liable for non-compliance with these instructions.

Keep these instructions in a safe place and ensure that all users are familiar with the contents. Pass them on to any future owner of the appliance.

### Correct application

- ▶ This rangehood is designed for domestic use and for use in similar environments by guests in hotel or motel rooms, bed & breakfasts and other typical living quarters. This does not include common/shared facilities or commercial facilities within hotels, motels or bed & breakfasts.
- ▶ The appliance is not suitable for outdoor use.
- ▶ It must only be used to extract vapours and remove odours from cooking.  
Any other usage is at the owner's risk. Miele cannot be held liable for damage resulting from incorrect or improper use or operation.
- ▶ Where a recirculation rangehood is fitted above a gas cooktop, please ensure that there is an adequate supply of fresh air into the room in which it is installed. Please seek the advice of a qualified gas fitter if necessary.

## Warning and Safety instructions

---

▶ This appliance is not intended for use by persons (including children) with reduced physical, sensory or mental capabilities, or lack of experience and knowledge, unless they have been given supervision or instruction concerning its use by a person responsible for their safety, and are able to recognise the dangers of misuse.

### **Safety with children**

▶ Young children must not be allowed to use this appliance.

▶ Older children may only use the appliance when its operation has been clearly explained to them and they are able to use it safely, recognising the dangers of misuse.

▶ Cleaning work may only be carried out by older children under the supervision of an adult.

▶ Children should be supervised near the appliance. Ensure that they do not play with the appliance.

▶ Danger of suffocation! Children may be able to wrap themselves in packing material or pull it over their heads with the risk of suffocation. Keep children away from any packing material.

# Warning and Safety instructions

---

## Technical safety

- ▶ Repairs and other work by unqualified persons could be dangerous. Installation, maintenance work and repairs to electrical appliances must only be carried out by a Miele approved service technician.
- ▶ A damaged appliance can be dangerous. Check it for visible signs of damage. Do not use a damaged appliance.
- ▶ The electrical safety of this appliance can only be guaranteed when continuity is complete between it and an effective earthing system. It is most important that this basic safety requirement is present and tested regularly and, where there is any doubt, the household wiring system should be inspected by a qualified electrician.
- ▶ Reliable and safe operation of this rangehood can only be assured if it has been connected to the mains electricity supply.
- ▶ Before connecting the appliance to the mains supply, ensure that the connection data on the data plate (voltage and frequency) matches the mains electricity supply. This data must correspond in order to avoid the risk of damage to the appliance. Consult a qualified electrician if in any doubt.
- ▶ Do not connect the appliance to the mains electricity supply by a multi-socket unit or an extension lead. Extension leads are a fire hazard and do not guarantee the required safety of the appliance.
- ▶ For appliances with an external motor fitted (...EXT models) the connection of the two units must be made using the control cable and the plug connectors.  
These models may only be combined with a Miele external motor.

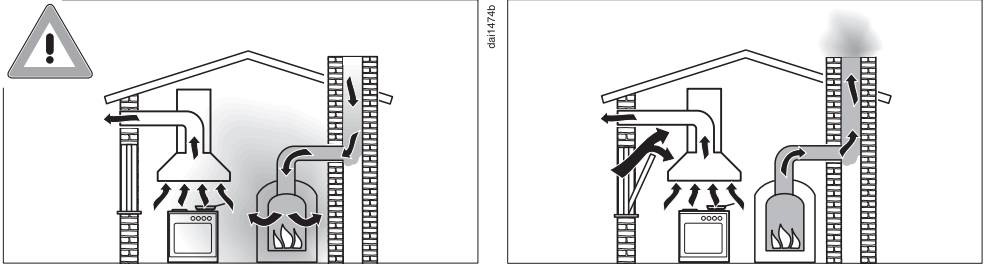
## Warning and Safety instructions

---

- ▶ For safety reasons, this appliance may only be used after it has been built in.
- ▶ This rangehood must not be installed and operated in mobile installations (e.g. on a ship).
- ▶ Tampering with electrical connections or components and mechanical parts is highly dangerous to the user and can cause operational faults.  
Only open the housing as described in the instructions given in the installation sheet and in the Cleaning and care section of this booklet. Under no circumstances should any other parts of the housing be opened.
- ▶ The manufacturer's warranty will be invalidated if the appliance is not repaired by a Miele approved service technician.
- ▶ Faulty components must only be replaced by genuine Miele spare parts. The manufacturer can only guarantee the safety of the appliance when Miele replacement parts are used.
- ▶ If the mains connection cable is damaged, it must only be replaced by a Miele authorised service technician in order to avoid a hazard.
- ▶ During installation, maintenance and repair work, the appliance must be disconnected from the mains electricity supply. It is only completely isolated from the electricity supply when:
  - the mains circuit breaker is switched off, or
  - it is switched off at the wall socket and the plug is withdrawn from the socket. Do not pull the mains connection cable but the mains plug to disconnect your appliance from the mains electricity supply.

# Warning and Safety instructions

Using at the same time as other heating appliances that depend on the air from the room



## ⚠ Warning - danger of toxic fumes

Great care should be taken when using the rangehood at the same time and in the same room or area of the house as another heating appliance which depends on the air in the room. Such appliances include gas, oil, wood or coal-fired boilers and heaters, continuous flow or other water heaters, gas cooktops, or ovens which draw air in from the room and duct exhaust gases out through a chimney or extraction ducting.

When used in extraction mode, with or without an external motor fitted, or in recirculation mode with a recirculation box installed outside the room, the appliance draws air in from the room in which it is installed and from neighbouring rooms.

If there is insufficient air, an underpressure will occur. The heating appliance will be starved of oxygen, impairing combustion. Harmful gases could be drawn out of the chimney or extraction ducting back into the room, with potentially fatal consequences.



## Warning and Safety instructions

In order to ensure safe operation, and to prevent gases given off by the heating appliances from being drawn back into the room when the rangehood and the heater are in operation simultaneously, an underpressure in the room of 0.04 mbar (4 pa) is the maximum permissible.

Ventilation can be maintained by air inlets which cannot be blocked, in windows, doors or outside wall vents, or by other technical measures, such as ensuring that the rangehood can only be switched on when the heating appliance is switched off or vice versa. A ventilation brick alone is not generally sufficient to ensure safe ventilation.

The overall ventilation condition of the dwelling must be taken into account. If in any doubt, the advice of a competent builder, or for gas a qualified gas fitter (registered with an official gas safety body in accordance with national safety regulations), must be sought.

If the rangehood is used in recirculation mode, where the air is directed back into the room in which it is located, operating a heating appliance which depends on the room air at the same time is not hazardous.

# Warning and Safety instructions

---

## Correct use

- ▶ Never use an open flame beneath the rangehood. To avoid the danger of fire, do not flambé or grill over an open flame. When switched on, the rangehood could draw flames into the filter. Fat deposits could ignite, presenting a fire hazard.
- ▶ The rangehood can become damaged when exposed to excessive heat.
  - When using the rangehood over a gas cooktop, ensure that any burners in use are always covered by a pan. Switch the cooking zone off when a pan is removed, even for a short time.
  - Select a pan which is suitable for the size of the burner.
  - Regulate the flame so that it does not burn up the sides of the pan.
  - Avoid overheating the pan (e.g. when cooking with a wok).
- ▶ Always switch the rangehood on when a cooking zone is in use, otherwise condensation may collect in the rangehood, which could cause corrosion.
- ▶ When cooking with oil or fat, chip pans and deep fat fryers etc., do not leave the pans unattended. Never leave an open grill unattended when grilling. Overheated oil and fat can ignite and could set the rangehood on fire.

## Warning and Safety instructions

---

- ▶ Do not use the rangehood without the filters in place. This way you will avoid the risk of grease and dirt getting into the appliance and hindering its smooth operation.
- ▶ The rangehood can get very hot during cooking due to heat rising from the cooktop.  
Do not touch the housing or the grease filters until the rangehood has cooled down.

### Correct installation

- ▶ Refer to the cooktop manufacturer's instructions as to whether a rangehood may be operated above the cooktop.
- ▶ Safety regulations prohibit the fitting of a rangehood over solid fuel stoves.
- ▶ Insufficient distance between the cooktop and the rangehood can result in damage to the rangehood.  
The minimum safety distances between the top of the cooktop and the bottom of the rangehood given in the "Installation" section must be maintained, unless the cooktop manufacturer states that a greater distance is required.  
If more than one cooking appliance is fitted beneath the rangehood, and they have different minimum safety distances to the rangehood, select the greater distance.
- ▶ The distances given in "Installation" must be observed when fitting the rangehood.

## Warning and Safety instructions

---

- ▶ All ducting, pipework and fittings must be of non-flammable material. These can be obtained from builders' merchants.
- ▶ The appliance must not be connected to a chimney or vent flue which is in use. Neither should it be connected to ducting which ventilates rooms with fireplaces.
- ▶ If exhaust air is to be extracted into a chimney or ventilation duct no longer used for other purposes, seek professional advice.

### Cleaning and care

- ▶ There is a risk of fire if the rangehood is not cleaned as described in these operating instructions.
- ▶ Do not use a steam cleaning appliance to clean this appliance. The steam could reach electrical components and cause a short circuit.
- ▶ In areas which may be subject to infestation by cockroaches or other vermin, pay particular attention to keeping the machine and its surroundings in a clean condition at all times. Any damage which may be caused by cockroaches or other vermin will not be covered by the machine warranty.

### Accessories

- ▶ Use only genuine original Miele spare parts. If spare parts or accessories from other manufacturers are used, the warranty will be invalidated, and Miele cannot accept liability.

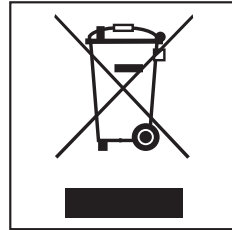
### Disposal of the packing material

The transport and protective packing has been selected from materials which are environmentally friendly for disposal, and can normally be recycled.

Recycling the packaging reduces the use of raw materials in the manufacturing process and also reduces the amount of waste in landfill sites. Ensure that any plastic wrappings, bags etc. are disposed of safely and kept out of the reach of babies and young children. Danger of suffocation.

### Disposing of your old appliance

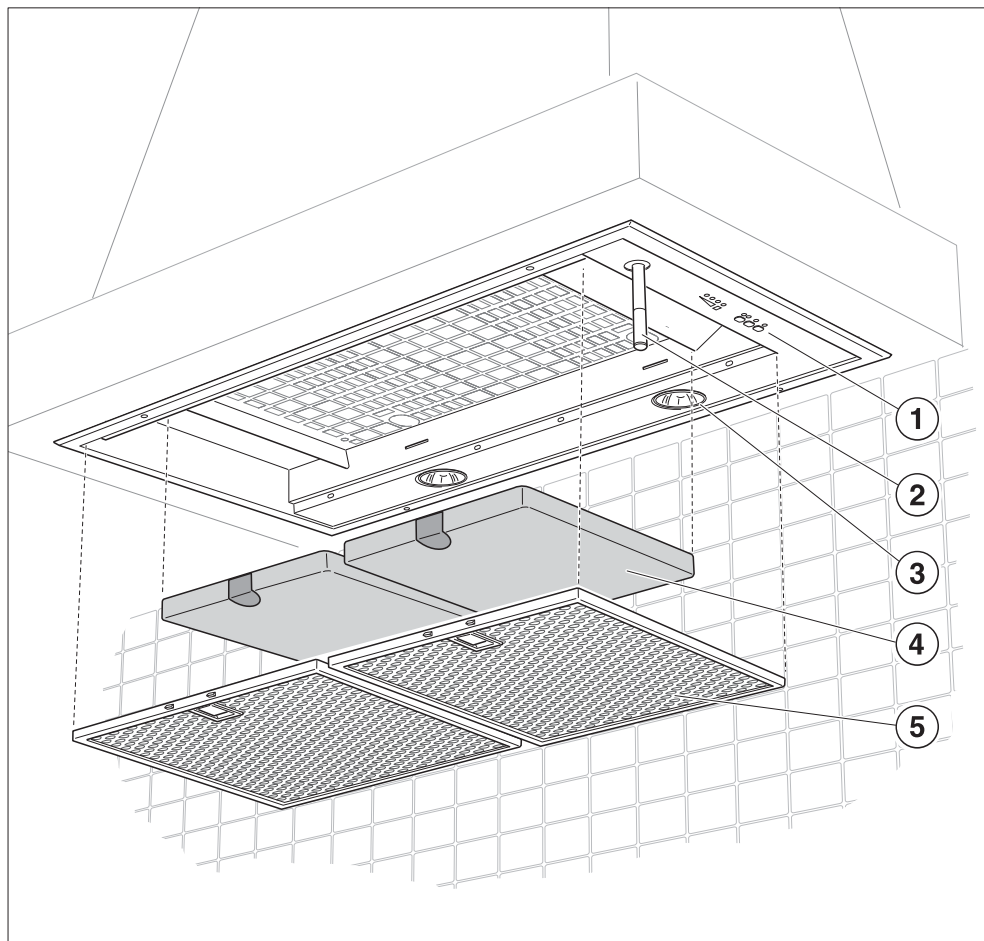
Electrical and electronic appliances often contain materials which, if handled or disposed of incorrectly, could be potentially hazardous to human health and to the environment. They are, however, essential for the correct functioning of your appliance. Therefore, please do not dispose of your old appliance with your household waste.



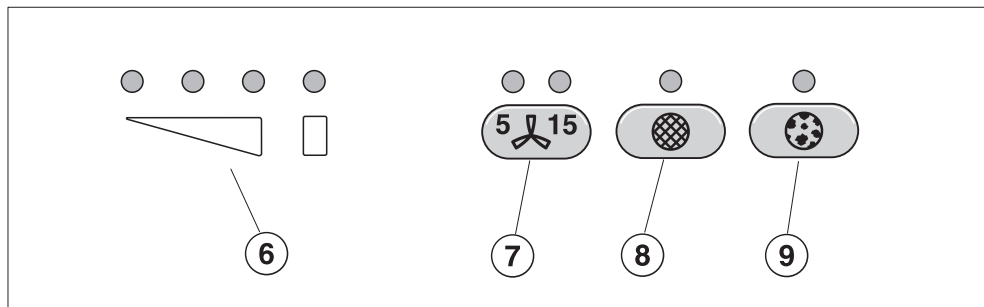
Please dispose of it at your local community waste collection / recycling centre.

Ensure that your old appliance presents no danger to children while being stored for disposal.

# Guide to the appliance



0312140

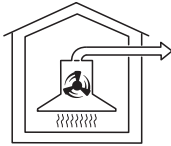


- ① Touch controls
- ② Joystick
- ③ Cooktop lighting
- ④ NoSmell active charcoal filters  
(only with recirculation mode)  
DA 2250, DA 2270: 2 charcoal filters  
DA 2210: 4 charcoal filters
- ⑤ Grease filters
- ⑥ Fan setting indicator lights
- ⑦ Touch control for the run-on option
- ⑧ Operating hours control for the grease filters
- ⑨ Operating hours control for the charcoal filters

# Description of the functions

Depending on the model of the rangehood, the following options are available:

## Air extraction mode



da10094a

The air is drawn in and cleaned by the grease filters and directed outside.

## Non-return flap

The non-return flap is designed to prevent the exchange of room and outside air taking place.

The flap is closed when the rangehood is switched off.

When the rangehood is switched on, the non-return flap opens for the cooking vapours to be blown directly outside.

If the on-site ventilation system does not have a non-return flap, the non-return flap supplied must be fitted.

## Recirculation mode

(available as an optional extra with a conversion kit and charcoal filter: see "Technical Data")

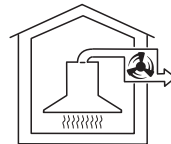


da10094b

The air is drawn in and cleaned first by the grease filters and then by a charcoal filter. The cleaned air is then recirculated back into the kitchen.

## Operation with an external motor

(...EXT model rangehoods.  
...EXT models are only available in selected countries.)



da10094c

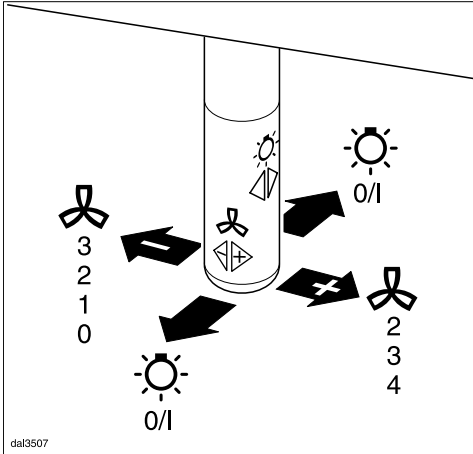
Rangehoods set up for operation with an external motor have to be connected to a Miele external motor located in a suitable position outside the room in which the rangehood is installed. The external motor is linked to the rangehood via a control cable and then operated using the controls on the rangehood.



## Joystick

This is used to operate the fan settings and the lighting.

## Switching the fan on



- Press the joystick once to the right.

The fan will come on at power setting **2**.

## Selecting a power setting


For light to heavy cooking vapours and odours, select from power settings **1** to **3**.

When frying or cooking food with a strong aroma, select fan power setting **4** (Intensive setting).

- Press the joystick repeatedly to the right to select a higher power setting, and to the left to select a lower power setting.

## Automatic switch-off of the Intensive setting

You can set the Intensive setting so that it always only runs for 10 minutes before reverting automatically to setting **3**.

- To set this option, both the fan and the cooktop lighting must be switched off.
- Press the run-on option control  for approx. 10 seconds until the indicator for power setting **1** lights up.
- Press the joystick
  - once to the rear,
  - once to the left,
  - once to the rear.

The indicator lights for fan power settings **1** and **4** will flash if automatic switch-off for the Intensive setting is not activated.

- To activate automatic switch-off, press the joystick once to the right.

If automatic switch-off is activated, the **1** and **4** indicator lights will light up.



- To deactivate automatic switch-off, press the joystick once to the left.
- Press the control for the run-on option to confirm the setting. If you do not confirm within 4 minutes, the rangehood will revert to the old setting.

# Operation

## Selecting the run-on time

It is advisable to run the fan for a few minutes after cooking has finished to neutralise any lingering vapours and odours in the air.

With the run-on function the fan switches itself off automatically after a pre-selected time.

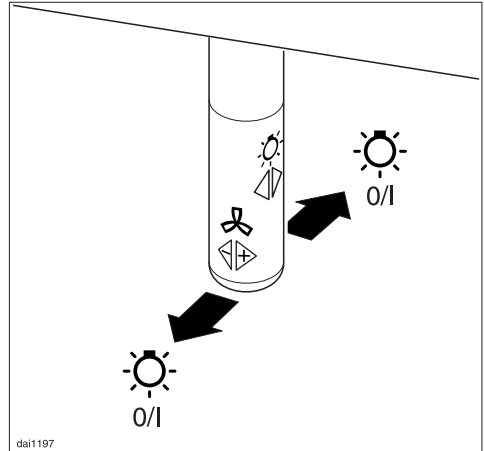
- After cooking has finished, press the run-on option control  whilst the fan is still running.
- Press once: The fan will switch off after 5 minutes (left-hand indicator lights up).
- Press twice: The fan will switch off after 15 minutes (right-hand indicator lights up).
- If you press the run-on control  again, the fan remains on (right-hand indicator goes out).

## Switching the fan off

- Press the joystick repeatedly to the left until the fan switches off.
- Alternatively, press the joystick to the left and hold it until the fan switches off.

The fan power setting indicator lights go out.

## Switching on the cooktop lighting



- Press the joystick once to the rear or to the front to switch on the lighting.

## Dimming the cooktop lighting

- With the lighting switched on, press and hold the joystick to the rear or the front. The brightness will gradually dim until you release the joystick.
- Pressing and holding it again will gradually increase the brightness until you release it.

## Switching off the cooktop lighting

- Press the joystick again once to the rear or to the front to switch it off.



## Safety switch-off

Should the rangehood be left on, the fan will switch off automatically after 10 hours. The lighting will remain on.

- Pressing the On/Off control will switch the fan back on again.

## Operating hours counter



The number of hours the appliance has been in operation is stored in memory.


When the grease filter symbol  or the charcoal filter symbol  lights up, the operating hours counters are signalling that the filters need to be cleaned or changed. Further information about cleaning and changing the filters and resetting the operating hours counter can be found under "Cleaning and care".

## Altering the operating hours counter for the grease filters

You can set the operating hours counter for the grease filters to suit the type of cooking you do.

It is set at the factory for 30 hours.

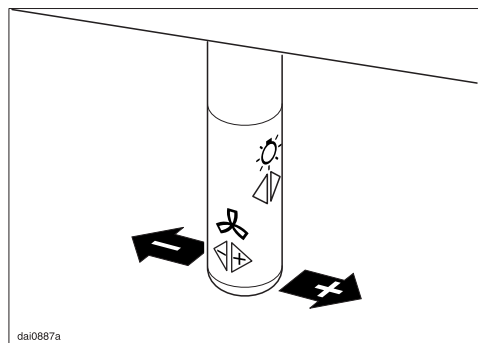
- Select a shorter time (20 hours) if you fry a lot.
- If you only cook occasionally, we recommend that you still select a short time because grease which has built up gradually over a long period of time will harden on the filters and make cleaning more difficult.
- If you use very little fat for cooking, select a longer time (40-50 hours).
- Switch off the fan using the joystick.
- Press the run-on option control  and the grease filter control  at the same time.


The grease filter indicator light  and one of the fan power setting indicator lights will flash.

# Operation

The indicator lights for the fan power settings show the operating hours which have been set:

1st light .....	20 hours
2nd light .....	30 hours
3rd light .....	40 hours
4th light .....	50 hours



- Press to the left for a shorter operating time, or to the right for a longer time.
- Confirm the selection by touching the grease filter control .



All the indicator lights will go out.


If you don't confirm your selection within 4 minutes, the rangehood will automatically revert to the previous setting.

## Activating and altering the operating hours counter for the NoSmell active charcoal filters

Charcoal filters are needed for recirculation mode.

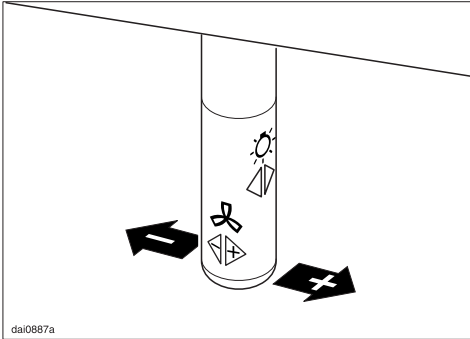
The operating hours counter for the charcoal filters needs to be activated once and the operating hours counter needs to be set to suit the kind of cooking you do:


- Switch off the fan using the joystick.
- Press the run-on option control  and the charcoal filter control  at the same time.

The indicator light for the charcoal filter control  and one of the fan power setting indicator lights will flash.

The indicator lights for the fan power settings show the operating hours which have been set:

1st light .....	120 hours
2nd light .....	180 hours
3rd light .....	240 hours
4th light .....	deactivated



- Press to the left for a shorter operating time, or to the right for a longer time.
- Confirm the selection by pressing the charcoal filter touch control .

All the indicator lights will go out.

If you don't confirm your selection within 4 minutes, the rangehood will automatically revert to the previous setting.

## Energy saving tips

---

This rangehood operates very efficiently and economically. The following will help you to save even more energy when using it:

- Ensure that there is sufficient ventilation in the kitchen when cooking. In extraction mode, if there is insufficient air flow the rangehood cannot operate efficiently and this causes increased operating noise levels.
- Always cook with the lowest possible setting. This produces fewer cooking vapours, so you can use a lower rangehood power level and therefore benefit from reduced energy consumption.
- Check the power level selected on the rangehood. A lower power level is generally sufficient for the majority of cooking. Only use the intensive setting when necessary.
- When a large volume of cooking vapours are being produced, switch to a high power level in good time. This is more efficient than operating the rangehood for longer to try to capture cooking vapours which have already been distributed throughout the kitchen.
- Make sure that you switch the rangehood off after use.
- Clean or change the filters at regular intervals. Heavily soiled filters reduce performance, increase the risk of fire and are unhygienic.

## Housing

### General

The surfaces and controls are susceptible to scratches and abrasion.

Please observe the following cleaning instructions.

- Switch the rangehood off before any cleaning or maintenance work is carried out.
- All external surfaces and controls can be cleaned using warm water with a small amount of washing-up liquid applied with a well wrung-out soft sponge or cloth.

Do not use too much water when cleaning the controls.

Water could penetrate into the electronics and cause damage.


- After cleaning, wipe the surfaces dry using a soft cloth.

Do not use:

- cleaning agents containing soda, acids, chlorides or solvents,
- abrasive cleaning agents, e.g. powder cleaners or cream cleaners and abrasive sponges, as well as pot scourers or sponges which have been used previously with abrasive cleaning agents. These will damage the surface material.


## Grease filters

The re-usable metal grease filters in the appliance remove solid particles (grease, dust, etc.) from the kitchen vapours, preventing soiling of the rangehood.

 An oversaturated filter is a fire hazard.

### When to clean the grease filters

The grease filters should be cleaned regularly (at least every 3-4 weeks) to avoid a build-up of grease.

The operating hours counter regularly reminds you to clean the grease filters by illuminating the grease filter touch control indicator .

- You can set the operating hours counter to suit the type of cooking you do (see "Operation").

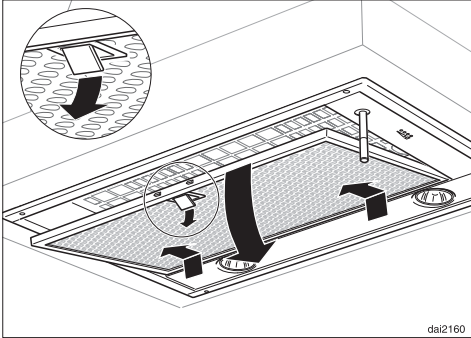
### Removing a grease filter

The grease filter can fall out when you are handling it.

This can result in damage to the filter and the cooktop below.

Make sure you hold the filter securely at all times when handling it.

# Cleaning and care



- To take out a grease filter, release the locking clip on the filter, lower the filter approx. 45°, unhook it at the back and remove it.

## Cleaning the grease filters by hand

- Clean the filters with a soft nylon brush in a mild solution of hot water and a small amount of washing-up liquid. Do not use undiluted washing up liquid.

## Unsuitable cleaning agents

Unsuitable cleaning agents can cause damage to the surface of the filters if used regularly.

Do not use:

- cleaning agents containing descaling agents,
- powder cleaners or cream cleaners,
- aggressive all-purpose cleaning agents or spray cleaners for grease,
- oven sprays.

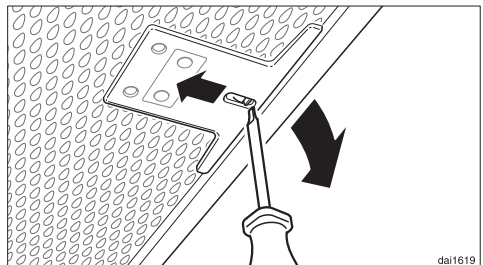
## Cleaning the grease filters in a dishwasher

- Place the filters as upright as possible in the lower basket, with the short sides upright, ensuring the spray arm is not obstructed.
- Use a proprietary household dishwasher detergent.
- Select a dishwasher programme with a wash temperature between 50 °C and 65 °C.

Depending on the cleaning agent used, cleaning the filters in a dishwasher can cause permanent discolouration to the surface. However, this will not affect the functioning of the filters in any way.

## After cleaning

- After cleaning, leave the filters to dry on an absorbent surface before refitting them.
- When removing the filters for cleaning, also clean off any residues of oil or fat from the now accessible housing to prevent the risk of these catching fire.
- Replace the grease filters, making sure that the locking clips are facing down towards the cooktop.







- If a grease filter is inadvertently refitted upside down, insert a small screwdriver blade into the slit to disengage the clip.


## Resetting the operating hours counter for the grease filters

After cleaning, the operating hours counter needs to be reset.

- Whilst the fan is switched on, press the grease filter control  for approx. 3 seconds until only the first fan power setting indicator light flashes.

The indicator light for the grease filter touch control  will go out.

If the grease filters are cleaned before the operating hours counter has reached its maximum:

- Press the grease filter control  for approx. 6 seconds until only the first fan power setting indicator light flashes.

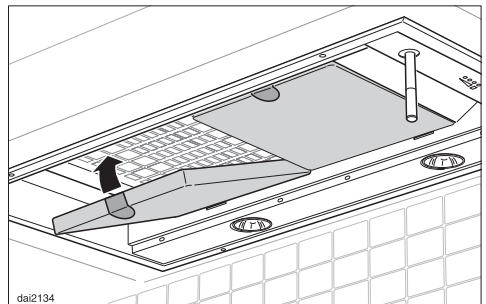
## NoSmell active charcoal filters

If the rangehood is connected for recirculation, either two (DA 2250, DA 2270) or four (DA 2210) charcoal filters must be inserted in addition to the grease filters. They are designed to absorb cooking odours and are fitted in the canopy above the grease filters.

Replacement charcoal filters can be obtained from Miele or via the internet at [www.miele-shop.com](http://www.miele-shop.com) (depending on country). See the back of these instructions for contact details, and "Technical data" for type and reference number.

## Fitting and replacing the charcoal filters

- Before fitting or replacing the charcoal filters, the grease filters must first be taken out (see previous section for instructions on how to do this).
- Unwrap the charcoal filters.




- Press the charcoal filters into the frame.
- Refit the grease filters.
- When fitting for the first time, activate the operating hours counter (see "Operation").

# Cleaning and care

---

## When to change the NoSmell active charcoal filters


- Always replace the charcoal filters when they no longer absorb kitchen odours effectively. They should, however, be replaced at least every 6 months.


The operating hours counter regularly reminds you to replace the charcoal filters by illuminating the charcoal filter touch control indicator light .

- The charcoal filter operating hours counter needs to be activated before using for the first time (see "Operation").


## Resetting the operating hours counter for the charcoal filters

After changing the charcoal filters, the operating hours counter needs to be reset.

- Whilst the fan is switched on, press the charcoal filter control  for approx. 3 seconds until only the first fan power setting indicator light flashes.

The indicator light for the charcoal filter touch control  will go out.

If you replace the charcoal filter **before** the operating hours counter has reached its maximum:

- Press the charcoal filter control  for approx. 6 seconds until only the first fan power setting indicator light flashes.

## Disposing of the charcoal filters

- The used charcoal filters can be disposed of with the normal household waste.

## Changing a halogen lamp

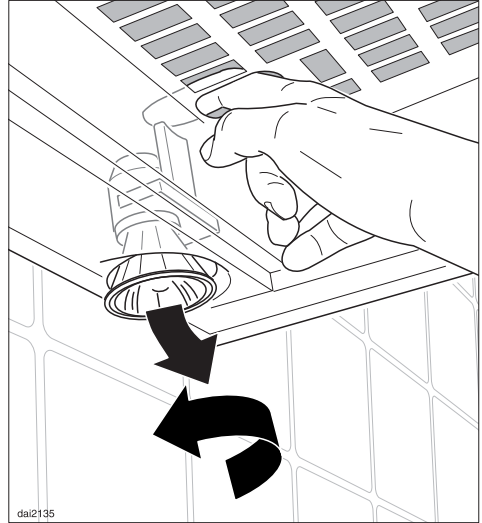
The halogen lamps should be replaced with the following:

Manufacturer ..... Osram  
Lamp type ..... GU10  
Model ..... Halopar  
Voltage ..... 230 V  
Wattage ..... 50 W

These halogen lamps are available from Miele or from specialist retailers.

- Disconnect the rangehood from the mains electrical supply before replacing the lamps (see "Warning and Safety instructions").
- Remove the grease filters.
- Remove the charcoal filters if the rangehood is being used in recirculation mode.

Note that halogen lamps become very hot when in use. They can cause burns even after being switched off for some time. Allow the lamps to cool down for a few minutes before changing them.



- Push down the lighting unit slightly via the opening in the safety panel.
- Turn the halogen lamp anti-clockwise and pull it out.
- Screw the new halogen lamp into the socket and push it upwards. Please follow the manufacturer's safety instructions.
- Replace the grease filters and, if being used in recirculation mode, the charcoal filters.

## **After sales service and warranty**

---

In the event of a fault which you cannot remedy yourself, please contact Miele.

The contact details for Miele are given at the back of these instructions.

When contacting Miele, please quote the model and serial number of your appliance.

These can be found on the data plate.

### **Position of the data plate**


The data plate is visible after removing the grease filters.

### **Warranty**

The manufacturer's warranty for this appliance is 2 years.

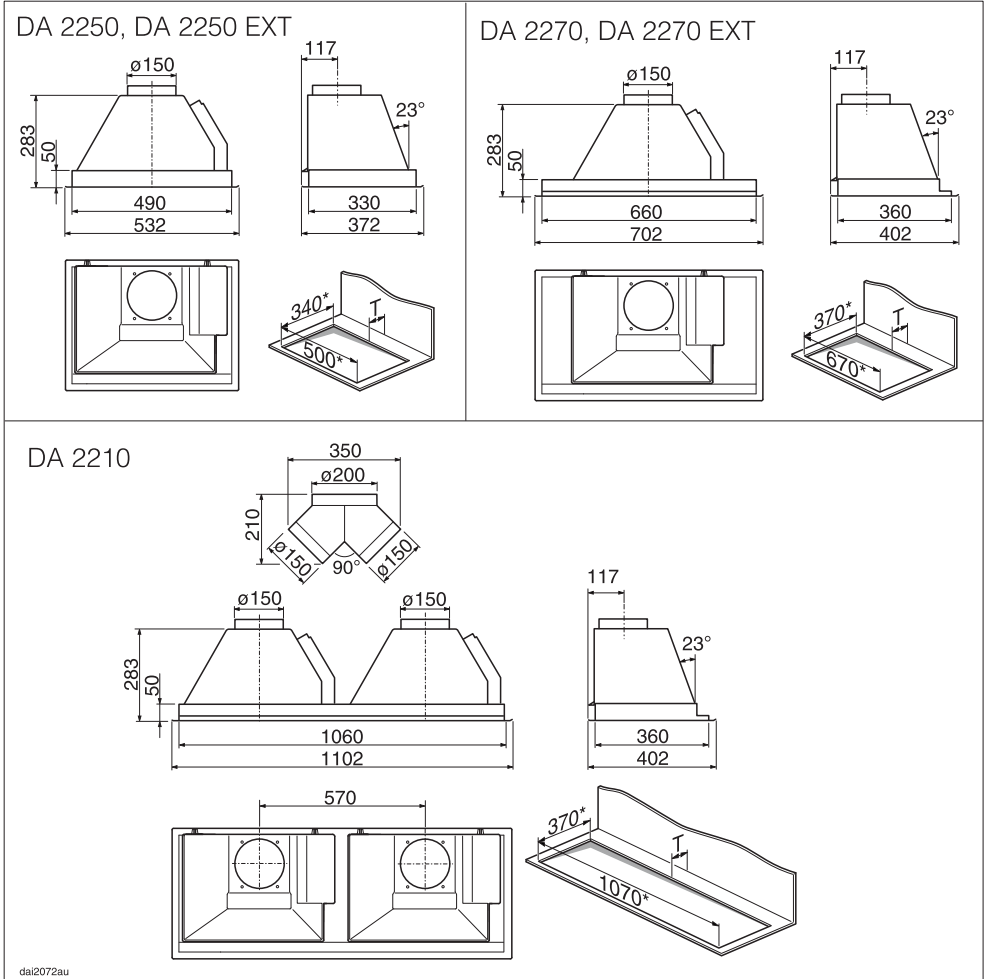
For further information, please refer to your warranty booklet.

## Before installation

 Before installation, it is important to read the information given on the following pages as well as the "Warning and Safety instructions" at the beginning of this booklet.

# Installation

## Appliance dimensions



### \*Cut-out dimensions

A depth **T** of at least 25 mm must be provided at the back of the building-in niche.

## Safety distance (S)

The minimum distances between the top of a cooktop (excluding trivets, dials - depending on model) and the bottom of the rangehood are as follows, unless a greater distance is specified by the manufacturer of your cooking appliance. See also "Warning and Safety instructions".

Cooking appliance	Minimum distance S
Electric cooktop	600 mm
Electric grill, deep fat fryer (electric)	650 mm
Multi-burner gas cooktop with maximum 45.4 MJ/h total output, with no burner having a greater output than 16.2 MJ/h.	650 mm
Multi-burner gas cooktop with total output greater than 45.4 MJ/h, but with a maximum of 77.8 MJ/h, with no burner having a greater output than 17.3 MJ/h.	760 mm
Multi-burner gas cooktop with total output greater than 77.8 MJ/h, with a single burner having a greater output than 17.3 MJ/h.	Not possible
Single burner gas cooktop with a maximum output of 21.6 MJ/h.	650 mm
Single burner gas cooktop with an output greater than 21.6 MJ/h, but with a maximum of 29.2 MJ/h.	760 mm
Single burner gas cooktop with an output greater than 29.2 MJ/h.	Not possible

# Installation

## Installation recommendations

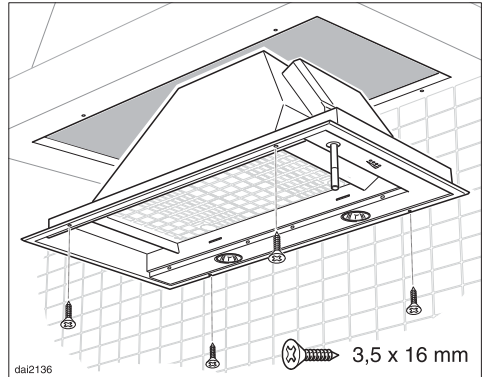
- To achieve optimum vapour extraction, the rangehood must cover the cooktop. It should be positioned centrally over the cooktop, not to the side.
- The cooktop should be no wider than the rangehood and, if possible, it should be narrower, especially for safety distances greater than 750 mm.
- The installation area must be easily accessible. The rangehood should be easily accessible and easy to dismantle in the event that service is required. This should be taken into consideration when planning the position of cupboards, shelves, ceilings or features in the vicinity of the rangehood.

## Building in

The rangehood is intended to be built into wall units, rangehood housing units, and above breakfast bars or island areas.

- Check prior to installation that the top of the appliance will be accessible after installation.

If this is not the case, install the exhaust ducting and prepare the mains connection **before** installation.

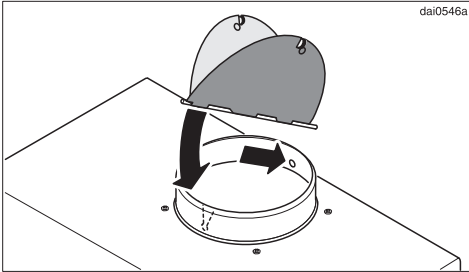


- Place the appliance in the cut-out from below and align it and secure it to the frame.

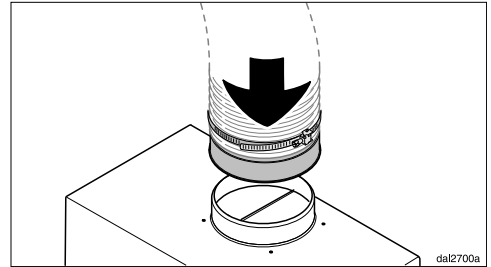
The screws are suitable for a solid installation surface made from wood. For installation in other materials, ensure you use appropriate means of fixing. Make sure the structure is able to take the weight of the rangehood.



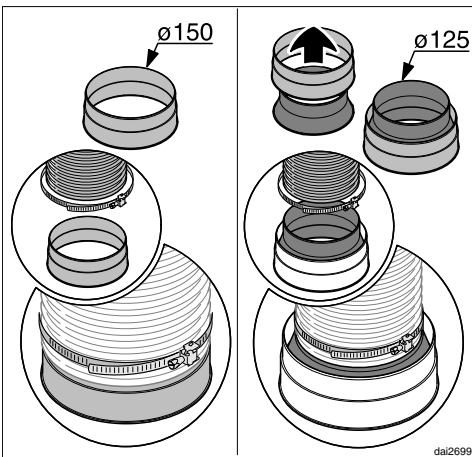
## Set up for extraction mode



- If required, install the non-return flap. Check that the flap opens easily and closes by itself. A non-return flap is used in each of the two exhaust sockets on the DA 2210.



- Place the exhaust ducting on the exhaust collar for the rangehood.
- See "Connection for air extraction" for further instructions on fitting the ducting.
- DA 2210: The rangehood has two exhaust sockets for use with two  $\varnothing$  150 mm diameter exhaust hoses. A "Y" adapter is supplied with the rangehood. It may be used to feed the exhaust from both sockets to a  $\varnothing$  200 mm common duct. However, for optimum performance and minimum operating sound, exhaust ducting via two separate ducts is strongly recommended.



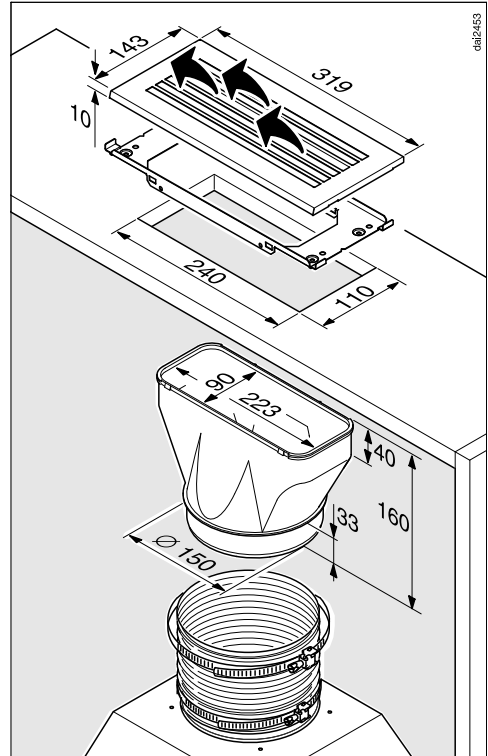
- Attach the exhaust ducting, e.g. flexible hose, to the exhaust collar using a hose clip (available as an optional accessory). When using  $\varnothing$  125 mm ducting, fit the reducing collar supplied into the exhaust socket (see "Connection for air extraction").

# Installation

## Set up for recirculation mode

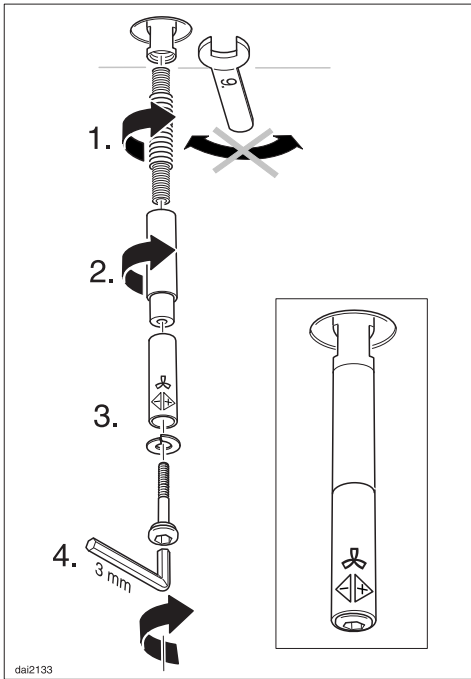
If site conditions are not suitable for the rangehood to be used with air extraction, the appliance must be set up for recirculation. The DUU 151 conversion kit, available from Miele, is required for operating the rangehood in recirculation mode. You will also need a charcoal filter set DKF 15-1 (2 charcoal filters).


The DA 2210 requires two conversion kits and two charcoal filter sets (4 charcoal filters).



- Fit the conversion kit as described in the installation instructions supplied with the kit. Make sure that the slats in the exhaust grille point towards the centre of the room and not towards a wall or the ceiling. A non-return flap is not used in recirculation mode.
- Fit the charcoal filters (see "Cleaning and care").

## Fitting the joystick

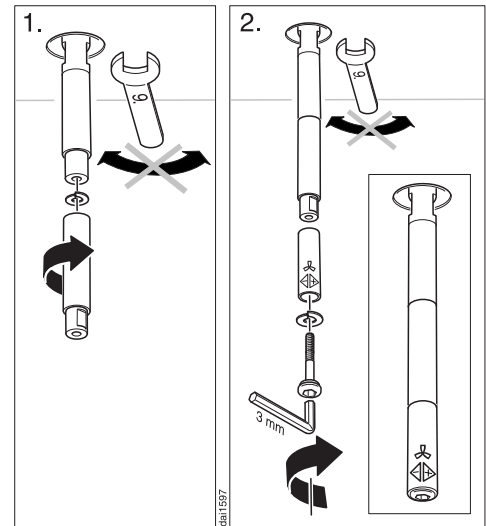



- Screw the spring into the joystick holder and tighten by hand. Whilst doing so, counterhold the joystick holder with an SW 9 spanner. **Do not** turn the spanner.
- Then fit the middle section onto the spring and tighten by hand whilst continuing to counterhold the joystick holder. **Do not** turn the spanner.
- Fit the lower section of the joystick and lightly secure in position with the screw supplied and a spring washer. Do not tighten the screw yet.
- Turn the lower section around, until the  symbol is facing the front.

- Then tighten the screw with a 3 mm Allen key. Continue to counterhold the joystick holder with an SW 9 spanner. **Do not** turn the spanner.

## Joystick extension

The joystick can be extended if required (special accessory - Miele DBV 100).



- Assemble the spring and top section as described above.
- Whilst counterholding the base of the joystick with an SW 9 spanner (do not turn), secure the joystick extension to the socket using a spring washer in between them, as shown above.
- Then attach the lower section of the joystick to the extension piece as previously described, turn the  symbol to the front and then tighten the screw.

# Installation

---

## Mains connection

Refer to the notes in “Electrical connection” and “Warning and Safety instructions” before connecting to the electricity supply.

- For appliances connected to an external motor (...EXT models): Connect the rangehood and the external motor using the control cable and the six-pole plug connector.
- Plug the mains connection cable into an electrical socket.

All electrical work should be undertaken by a suitably qualified and competent person in strict accordance with current national and local safety and building code regulations. Installation, repairs and other work by unqualified persons could be dangerous, for which the manufacturer cannot be held liable. Ensure power is not supplied to the appliance until after installation or repair work has been carried out.

The rangehood must be connected to a suitably earthed socket (AC 230 V, 50 Hz).

For extra safety it is advisable to install a residual current device (RCD) with a trip current of 30 mA.

Connection of this appliance should be made via a suitable isolator which complies with national and local safety regulations and the On-Off switch should be easily accessible after the appliance has been built in.

If the mains socket is not accessible after installation, an additional means of disconnection must be provided for all poles. There must be an all-pole contact gap of 3 mm in the switch (including switch, fuses and relays according to EN 60335).

The connection data is given on the data plate (See "After sales service"). Ensure that this data matches the household mains supply.

# Connection for air extraction

**⚠** Before installation, it is important to read the information given on the following pages as well as the "Appliance dimensions" and the "Warning and Safety instructions" at the beginning of this booklet. This is particularly crucial when using the rangehood at the same time as a heating appliance that relies on oxygen from the same room, which could result in the build-up of toxic fumes.

The rangehood should be installed according to local and national building regulations. Seek approval from the building inspector where necessary.

- Only use smooth pipes or flexible hoses made from non-flammable materials for the extraction ducting.

Highly flexible, concertina type ducting material will greatly reduce the performance of the rangehood.

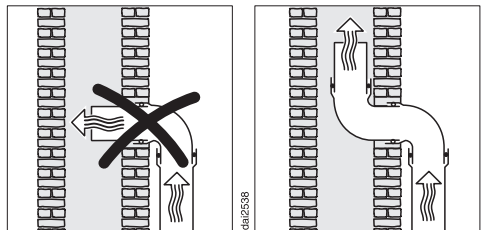
- When using an external motor, make sure that the exhaust ducting is sufficiently rigid. The external motor can cause an underpressure which can result in the exhaust ducting distorting.
- To achieve the greatest possible air extraction with the lowest noise level, please note the following:

To ensure efficient air extraction, the diameter of the exhaust ducting should not be less than 150 mm.

- A reduction in diameter will compromise the extraction performance of the rangehood.
- If flat ducting is being used, the cross-sectional area must not be smaller than the cross-sectional area of the exhaust connection.
- The exhaust ducting should be as short and straight as possible.
- Only use wide radius bends.
- The exhaust ducting should not be kinked or compressed.
- Ensure that all connections are strong and airtight.

Remember that any constriction of the airflow will reduce extraction performance and increase operating noise.

- If the exhaust is ducted through an outside wall, a telescopic wall vent or a roof vent (available as an optional accessory) is recommended.



- If the exhaust air is to be ducted into a vent flue, the ducting must be directed in the flow direction of the flue.

## Connection for air extraction

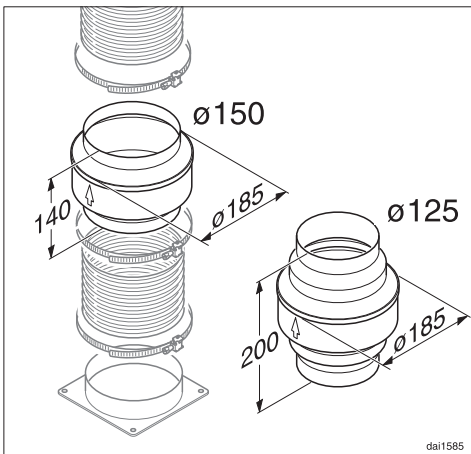
- When ducting is horizontal it must be laid to slope away at at least 1 cm per metre. This is to ensure that condensate cannot drain back into the rangehood.
- If the exhaust ducting is to run through rooms, ceiling space etc. where there may be great variations in temperature between the different areas, the problem of condensation will need to be addressed. The exhaust ducting will need to be suitably insulated.

exhaust socket.

The arrow on the housing indicates the direction of airflow.

The condensate trap will be integrated in rangehoods which are designed to be connected to an external fan (model.....EXT).

### Condensate trap



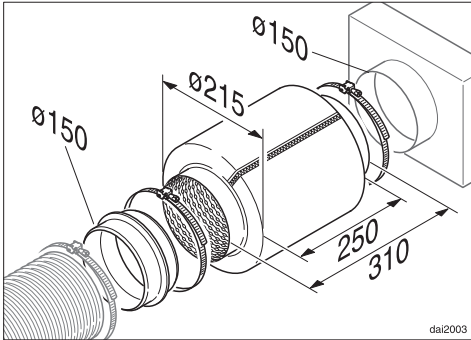
In addition to insulating the exhaust ducting, we recommend that a suitable condensate trap is also installed to collect and evaporate any condensate which may occur.

Condensate traps are available for 125 mm or 150 mm ducting.

- When installing a condensate trap, ensure that it is positioned vertically and, if possible, directly above the

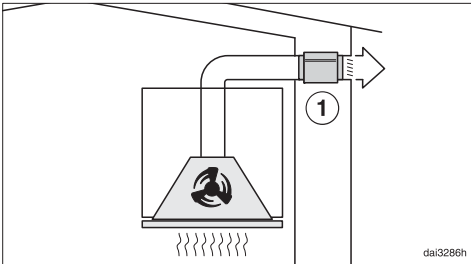
# Connection for air extraction

## Silencer



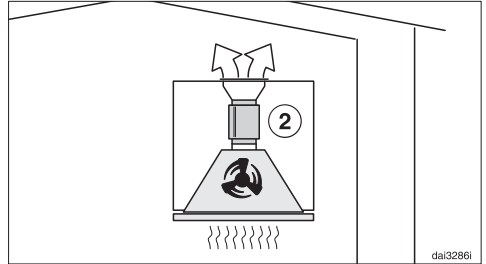
To achieve even further reductions in noise levels, a special silencer (optional accessory) can be fitted in the ducting system.

## Air extraction mode



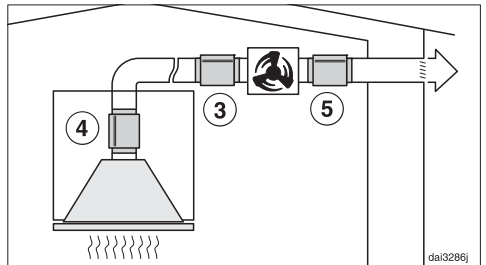
The silencer not only reduces noise from the motor outside the house, but also sounds from outside (e.g. traffic noise). For this reason, the silencer must be positioned as close as possible to the ducting exit ①.

## Recirculation mode



The silencer needs to be positioned between the exhaust connection and the exhaust grille ②. Ensure there is adequate space for fitting it.

## Air extraction with external motor



To minimise noise from the motor in the kitchen, the silencer should be positioned in front of the external motor ③ if possible, or, if the ducting is long, above the exhaust connection inside the rangehood ④. In the case of an external motor located inside the house, fitting a silencer behind the external motor ⑤ reduces the noise of the motor outside the house.



## Technical data

Fan motor*	
DA 2250, DA 2270	200 W
DA 2210	2 x 290 W
Cooktop lighting	
DA 2250, DA 2270	2 x 50 W
DA 2210	4 x 50 W
Total rated load*	
DA 2250, DA 2270	300 W
DA 2210	780 W
Voltage, frequency	AC 230 V, 50 Hz
Fuse rating	10 A
Mains connection cable length	1.5 m
Weight	
DA 2250	8 kg
DA 2250 EXT	5.5 kg
DA 2270	9.5 kg
DA 2270 EXT	7 kg
DA 2210	16 kg

## Technical data

Extraction power* according to EN 61591	
DA 2250, DA 2270, extraction ducting Ø 150 mm	
Setting 1	200 m <sup>3</sup> /h
Setting 2	300 m <sup>3</sup> /h
Setting 3	400 m <sup>3</sup> /h
Intensive setting	640 m <sup>3</sup> /h
Recirculation power**	
Setting 1	140 m <sup>3</sup> /h
Setting 2	240 m <sup>3</sup> /h
Setting 3	360 m <sup>3</sup> /h
Intensive setting	550 m <sup>3</sup> /h
DA 2210, extraction ducting 2 x Ø 150 mm	
Setting 1	650 m <sup>3</sup> /h
Setting 2	950 m <sup>3</sup> /h
Setting 3	1250 m <sup>3</sup> /h
Intensive setting	1850 m <sup>3</sup> /h
Recirculation power**	
Setting 1	600 m <sup>3</sup> /h
Setting 2	900 m <sup>3</sup> /h
Setting 3	1200 m <sup>3</sup> /h
Intensive setting	1550 m <sup>3</sup> /h

\* For EXT models, the rated load will depend on the type of external motor fitted.

Length of control cable to external motor: 1.9 m

\*\*Special accessories for recirculation mode:

DUU 151 conversion kit and DKF 15-1 charcoal filter set (contains 2 charcoal filters).

The DA 2210 requires two conversion kits and two charcoal filter sets.

**Miele Australia Pty. Ltd.**

ACN 005 635 398  
ABN 96 005 635 398

**Miele Center and Head Office Melbourne:**

1 Gilbert Park Drive  
Knoxfield, VIC 3180

**Miele Center and Office Melbourne:**

206-210 Coventry Street  
South Melbourne, VIC 3205

**Miele Center and Office Sydney:**

3 Skyline Place  
Frenchs Forest, NSW 2086

**Miele Center and Office Brisbane:**

39 Harvey Street North  
Eagle Farm, QLD 4009

**Miele Center and Office Adelaide:**

83-85 Sir Donald Bradman Drive  
Hilton, SA 5033

**Miele Center and Office Perth:**

205-207 Stirling Highway  
Claremont, WA 6010



[www.miele.com.au](http://www.miele.com.au)



**Miele New Zealand Limited**

IRD 98 463 631

**Head Office:**

Level 2, 10 College Hill  
Freemans Bay, Auckland 1011

**Miele Center Auckland:**

8 College Hill  
Freemans Bay, Auckland 1011

**Telephone:**

0800 4 MIELE (0800 464 353)

[www.miele.co.nz](http://www.miele.co.nz)

**Miele Global Headquarters**

**Germany**

**Miele & Cie. KG**

Carl-Miele-Straße 29  
33332 Gütersloh  
Federal Republic of Germany

DA 2250  
DA 2270  
DA 2210  
DA 2250 EXT  
DA 2270 EXT



AU, NZ

M.-Nr. 09 723 590 / 04