











Operating and installation instructions


Refrigerator



To prevent the risk of accidents or damage to the appliance, it is **essential** to read these instructions before it is installed and used for the first time.

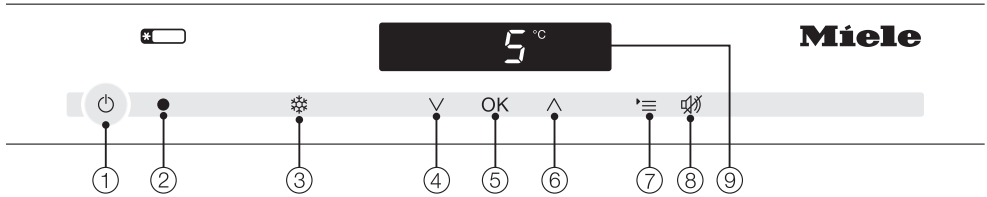
Contents

Guide to the appliance	4
Optional accessories	7
Caring for the environment	8
Warning and Safety instructions	9
How to save energy	17
Switching the appliance on and off	19
Operating the appliance	20
Switching on	20
Switching off	20
Switching off the appliance in Sabbath mode	20
Switching off for longer periods of time	21
The correct temperature	22
. . . in the refrigerator section and in the PerfectFresh zone.	22
Automatic temperature adjustment (DynamicCooling)	22
Temperature display	22
Setting the temperature	23
Adjusting the temperature in the PerfectFresh zone	24
SuperCool	25
Door alarm	26
Switching the alarm off early	26
Further settings	27
Safety lock 	27
Audible tones 	28
Display brightness 	29
Sabbath mode 	30
Using the refrigerator efficiently	32
Different storage zones	32
Food which should not be stored in a refrigerator.	33
What to be aware of when shopping for food	33
Storing food correctly	33
Storing food in the PerfectFresh zone	34
Dry compartment 	35
Humidity controlled compartment  , 	35
Low humidity 	35
High humidity  , 	35

Adjusting the interior fittings	37
Adjusting the door shelf / bottle shelf	37
Moving the bottle holder	37
Adjustable shelf / Adjustable shelf with lighting	37
Moving the adjustable shelf / adjustable shelf with lighting	37
Adjusting the bottle rack	38
PerfectFresh zone compartments	38
Automatic defrosting	40
Cleaning and care	41
Before cleaning	42
Adjustable shelf / Adjustable shelf with lighting	42
Cleaning the interior and accessories	44
Door seals	45
Ventilation gaps	45
After cleaning	46
Problem solving guide	47
Noises	55
After Sales / Warranty	56
Warranty	56
Information for Miele Centers and Chartered Agents	57
Demo mode 	57
Electrical connection	59
Installation advice	60
Side-by-side units:	60
Location	60
Climate range	60
Ventilation	61
Before installation	62
Building-in dimensions	63
Adjusting the door hinges	64
Changing the door hinging	65
Installation	69
Fitting a furniture door	77
Contact details	83

Guide to the appliance






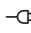


Control panel



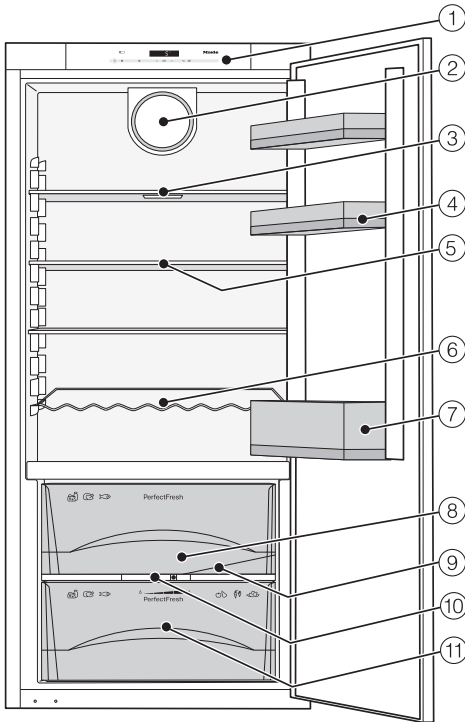
- ① For switching the entire appliance on and off.
- ② Optical interface (for Service only)
- ③ On/Off sensor for the SuperCool function
- ④ For setting the temperature (V colder), selection sensor in settings mode
- ⑤ For confirming a selection (OK sensor)
- ⑥ For setting the temperature (^ warmer), selection sensor in settings mode
- ⑦ For selecting and deselecting the settings mode
- ⑧ For switching the door alarm off
- ⑨ Display with temperature display and symbols (symbols are only visible in settings mode, if an alarm is sounding, or if a message appears; for an explanation of the symbols, see the following chart)

Guide to the appliance

Explanation of symbols

Symbol	Meaning	Function
	Safety lock	Secures against unintended switching off of the appliance, unintended temperature adjustment, unintended switching on of SuperCool and unintended entry of settings
	Audible tones	Selection options for the keypad tone and the door alarm tone
	Display brightness	Setting the brightness of the display
	PerfectFresh temperature	Adjusting the temperature in the PerfectFresh zone
	Sabbath mode	Switching Sabbath mode on and off
	Electrical connection	Confirms that the appliance is connected to the electricity supply when it is not switched on
	Alarm	Lights up when the door alarm is activated; flashes with fault messages
	Demo mode (only visible when Demo mode is active)	Switching off Demo mode

Guide to the appliance



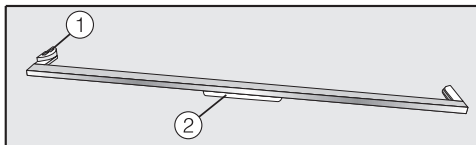
- ① Control panel
- ② Fan
- ③ Adjustable shelf with lighting (FlexiLight)
- ④ Egg tray / Door shelf
- ⑤ Adjustable shelf
- ⑥ Bottle rack
- ⑦ Bottle shelf
- ⑧ PerfectFresh zone dry compartment
- ⑨ Condensate channel and drain hole
- ⑩ Control for setting the moisture level in the humidity controlled compartment*
- ⑪ PerfectFresh zone humidity controlled compartment*

This picture is an example of an appliance model.

* Depending on model

Optional accessories

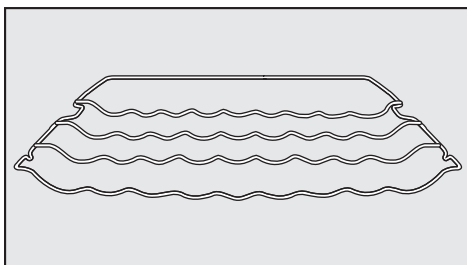
Stainless steel trim with LED lighting for adjustable shelf (FlexiLight)



LED lighting ② is located on the stainless steel trim which is supplied with electricity via metal discs (contacts) ①.

Refrigerator section lighting can be customised to your needs by changing the position of the adjustable shelf.

Bottle rack



The bottle rack can be used to store bottles in the refrigerator section horizontally, thus saving space. The bottle rack can be positioned on different levels within the refrigerator section.

Care of stainless steel

- Each application of the Original Miele care product for stainless steel forms a durable protective film that is stain and water resistant. It gently removes water marks, fingerprints and other stains for a uniformly shiny surface.

Original Miele all purpose microfibre cloth

Light soiling and fingerprints on stainless steel fronts, control panels and furniture can be easily removed with the microfibre cloth.

Optional accessories are available to order from Miele or via the internet (depending on country).



www.miele-shop.com

Caring for the environment

Disposal of the packing material

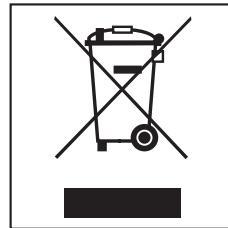
The transport and protective packing has been selected from materials which are environmentally friendly for disposal and can normally be recycled.

Ensure that any plastic wrappings, bags, etc. are disposed of safely and kept out of the reach of babies and young children. Danger of suffocation.

Rather than just throwing these materials away, please ensure they are offered for recycling.

Disposing of your old appliance

Electrical and electronic appliances often contain materials which, if handled or disposed of incorrectly, could be potentially hazardous to human health and to the environment. They are, however, essential for the correct functioning of your appliance. Please do not therefore dispose of it with your household waste.



Please dispose of it at your local community waste collection / recycling centre and ensure that it presents no danger to children while being stored for disposal.

The plug must be rendered useless and the cable cut off directly behind the appliance to prevent misuse. Take care not to damage the pipework at the back of it before or during transportation to an authorised collection depot. In this way, refrigerant in the pipework and oil in the compressor will be contained, and will not leak out into the environment.

Warning and Safety instructions

This appliance complies with all relevant local and national safety requirements. Improper use of the appliance can, however, present a risk of both personal injury and material damage.

To avoid the risk of accidents and damage to the appliance, please read these instructions carefully before installation and before using it for the first time. They contain important notes on the installation, safety, operation and care of the appliance. Miele cannot be held liable for damage caused by non-compliance with these Warning and Safety instructions.

Keep these instructions in a safe place and pass them on to any future owner.

Correct application

▶ This appliance is designed for domestic use and for use in similar environments by guests in hotel or motel rooms, bed & breakfasts and other typical living quarters. This does not include common/shared facilities or commercial facilities within hotels, motels or bed & breakfasts.

This appliance is not suitable for outdoor use.

▶ This appliance is intended for the cool storage of food and drinks. Any other usage is not supported by the manufacturer and could be dangerous.

Warning and Safety instructions

▶ This appliance is not suitable for storing and refrigerating medications, blood plasma, laboratory preparations or similar substances or products. Incorrect use of the appliance may result in damage to or spoiling of the food or drinks being stored. Furthermore, the appliance must not be operated in areas where explosions may occur. Miele cannot be held liable for damage resulting from improper or incorrect use of the appliance.

▶ This appliance is not intended for use by persons (including children) with reduced physical, sensory or mental capabilities, or lack of experience and knowledge, unless they have been given supervision or instruction concerning its use by a person responsible for their safety, and are able to recognise the dangers of misuse.

Safety with children

▶ Young children must not be allowed to use this appliance.

▶ Older children may only use the appliance when its operation has been clearly explained to them and they are able to use it safely, recognising the dangers of misuse.

▶ Cleaning work may only be carried out by older children under the supervision of an adult.

▶ Children should be supervised to ensure that they do not play with the appliance. Keep small children away from the appliance at all times to avoid the risk of injury.

Warning and Safety instructions

▶ Danger of suffocation! Children may be able to wrap themselves in packing material or pull it over their heads with the risk of suffocation. Keep children away from any packing material.

Technical safety

▶ The refrigerant circuit has been checked for leaks. This appliance complies with all current local and national safety requirements.

▶ This appliance contains the coolant Isobutane (R600a), a natural gas which is environmentally friendly. Although it is flammable, it does not damage the ozone layer and does not increase the greenhouse effect.

The use of this coolant has, however, led to a slight increase in the noise level of the appliance. In addition to the noise of the compressor, you might be able to hear the coolant flowing around the system. This is unavoidable, and does not have any adverse effect on the performance of the appliance.

Care must be taken during the transportation and setting up of the appliance that no parts of the cooling system are damaged. Leaking refrigerant can damage the eyes.

In the event of any damage:

- avoid any flames or anything which creates a spark,
- switch off at the mains and unplug the appliance,
- ventilate the room where the appliance is located for several minutes, and
- contact Miele for advice.

Warning and Safety instructions

▶ The more coolant there is in an appliance, the larger the room it should be installed in. In the event of a leakage, if the appliance is in a small room, there is the danger of combustible gases building up. For every 8 g of coolant at least 1 m³ of room space is required. The amount of coolant in the appliance is stated on the data plate inside the appliance.

▶ Before connecting the appliance, make sure that the connection data on the data plate (fuse rating, voltage and rated load) match the mains electricity supply. This data must correspond in order to avoid the risk of damage to the appliance.

Consult a qualified electrician if in any doubt.

▶ The electrical safety of this appliance can only be guaranteed when continuity is complete between it and an effective earthing system which complies with local and national safety regulations. It is most important that this basic safety requirement is present and tested regularly and, where there is any doubt, the household wiring system should be inspected by a qualified electrician.

▶ If the connection cable is faulty, it must only be replaced by a Miele approved service technician to protect the user from danger.

▶ Do not connect the appliance to the mains electricity supply by a multi-socket unit or an extension lead. These do not guarantee the required safety of the appliance (e.g. danger of overheating).

▶ If moisture gets into electrical components, it could cause a short circuit.

Therefore, do not operate this appliance in areas which are exposed to moisture.

▶ This appliance must not be installed and operated in mobile installations (e.g. on a ship).

Warning and Safety instructions

- ▶ A damaged appliance is dangerous. Check the appliance for any visible damage. Never install or attempt to use a damaged appliance.
- ▶ For safety reasons, this appliance may only be used when it has been fully installed.
- ▶ During installation, maintenance and repair work, the appliance must be disconnected from the mains electricity supply. It is only completely isolated from the electricity supply when:
 - the mains fuse has been disconnected, or
 - the screw-out fuse is removed (in countries where this is applicable), or
 - it is switched off at the wall socket and the plug is withdrawn from the socket, or it is switched off at the isolator.
- ▶ Repairs and installation work by unqualified persons could be dangerous. The manufacturer cannot be held liable for unauthorised work. Installation, maintenance work and repairs to electrical appliances must only be carried out by a Miele approved service technician.
- ▶ The manufacturer's warranty will be invalidated if the appliance is not repaired by a Miele approved service technician.
- ▶ Faulty components must only be replaced by genuine Miele spare parts. The manufacturer can only guarantee the safety of the appliance when Miele replacement parts are used.

Warning and Safety instructions

Correct use

- ▶ The appliance is designed for use within a certain climate range (ambient temperatures), and should not be used outside this range. The climate range of the appliance is stated on the data plate inside the appliance. Installing the appliance in a room with too low an ambient temperature, e.g. a garage, can lead to the appliance switching off for longer periods so that it cannot maintain the required temperature.
- ▶ To ensure proper air flow in and out of the appliance, the air vents must not be covered or blocked in any way. It would also increase the energy consumption and could cause damage to the appliance.
- ▶ Make sure that any oil, or foods containing oil, do not come into contact with plastic components as this could cause stress cracks.
- ▶ Do not store explosive materials in the appliance or any products containing propellants (e.g. spray cans). Flammable gas mixtures can be ignited by electrical components.
Danger of fire and explosion!
- ▶ Do not operate any electrical equipment (e.g. an electric ice cream maker) inside the appliance. Danger of sparking and explosion!

Warning and Safety instructions

- ▶ Food stored for too long may present a risk of food poisoning. Storage times will depend on several factors, including the freshness and quality of the food, as well as the temperature at which it is stored. Follow the instructions given on the food manufacturer's packaging regarding storage conditions and "use by" dates.
- ▶ Use only Miele Original spare parts. If spare parts or accessories from other manufacturers are used, the warranty will be invalidated, and Miele cannot accept liability.

Cleaning and care

- ▶ Do not use any oils or grease on the door seal, as these will cause the seal to deteriorate and become porous with time.
- ▶ Do not use a steam cleaning appliance to clean this appliance. Pressurised steam could reach the electrical components and cause a short circuit.
- ▶ Do not use sharp edged objects to
 - remove frost and ice,
 - separate frozen foods and remove ice trays.

They will damage the evaporator, causing irreversible damage to the appliance.

- ▶ Never place electric heaters or candles in the appliance to defrost it. These can damage the plastic parts.
- ▶ Do not use defrosting sprays or de-icers, as they might contain substances which could damage the plastic parts or which could cause a build-up of gases and pose a danger to health.

Warning and Safety instructions

Transporting the appliance

- ▶ To avoid damaging the appliance, it must be transported upright in its packaging.
- ▶ The appliance is very heavy and therefore needs to be transported by at least two people. Danger of injury and damage!

Disposal of your old appliance

- ▶ Before disposing of an old appliance, first make the door lock unusable.
This way you will prevent children from accidentally locking themselves in and endangering their lives.
- ▶ Be careful not to damage any part of the pipework whilst awaiting disposal, e.g. by
 - puncturing the refrigerant channels in the condenser,
 - bending any pipework, or
 - scratching the surface coating.Splashes of refrigerant can harm the eyes.

How to save energy

	Normal energy consumption	Increased energy consumption
Installation/ Maintenance	In a ventilated room.	In an enclosed, unventilated room.
	Protected from direct sunlight.	In direct sunlight.
	Not situated near a heat source (radiator, oven).	Situated near a heat source (radiator, oven).
	Where the ideal ambient room temperature is approx. 20 °C.	Where there is a high room temperature.
	Where the cross-section of the air inlet and outlet is not covered and kept free of dust.	Where the air inlets and outlets are covered or dusty.
Temperature settings	Refrigerator section 4 to 5 °C	With a low temperature setting: The lower the temperature in the appliance, the higher the energy consumption.
	PerfectFresh zones 0 °C	

How to save energy

	Normal energy consumption	Increased energy consumption
Use	Do not change the arrangement of the drawers and shelves as when delivered.	
	Only open the door when necessary and for as short a time as possible. Store food in an organised way.	Frequent opening of the door for long periods will cause a loss of coldness. The appliance will try to cool down and the running time of the compressor will increase.
	Take a cooler bag when shopping and load food in the appliance as quickly as possible on your return home. When food is taken out of the refrigerator, be sure to put it back before it becomes warm. Allow hot food and drinks to cool down before placing them in the appliance.	Warm food and food brought in from room temperature add heat to the appliance. The appliance will try to cool down and the running time of the compressor will increase.
	Store food covered or packaged.	The evaporation or condensation of liquids will cause a loss of coldness in the refrigerator.
	Place frozen food in the refrigerator to defrost.	
	Do not overfill the appliance to allow air to circulate.	

Switching the appliance on and off

Before using for the first time

Packaging material

- Remove all packaging material from the inside of the appliance.

Protective foil

The stainless steel trims and stainless steel panels have a layer of protective foil to prevent scratching during transportation.

- Remove this protective foil after the appliance has been installed.

Cleaning and care

Please refer to the relevant instructions in "Cleaning and care".

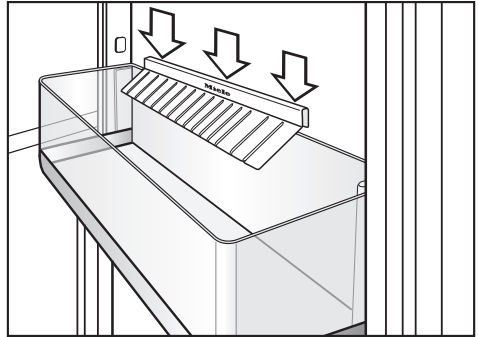
- Immediately after pulling the film off, wipe the stainless steel surfaces with the care product for stainless steel provided.

Important! Each application of the care product for stainless steel forms a durable protective film that is stain and water resistant.

- Clean the inside of the appliance and the accessories.

Bottle holder

The fins of the bottle holder jut out into the bottle shelf and make bottles more secure when opening and closing the appliance door.



- Attach the bottle holder to the middle of the rear edge of the bottle shelf.


Switching the appliance on and off

Operating the appliance

A light touch of the finger on the sensors is all that is required to operate this appliance.

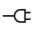
Each touch of a sensor is confirmed with a keypad tone. The keypad tone can be switched off if you wish (see "Further settings - Audible tones").

Switching on

The mains connection symbol  appears in the display when the appliance is plugged in and switched on at the wall socket.



- Touch the On/Off sensor.

The temperature display disappears and the mains connection symbol  lights up.

The appliance begins to cool. When the refrigerator door is opened, the interior lighting comes on and the LED lighting on the adjustable shelves becomes brighter until it reaches its maximum brightness.


To enable the temperature to get sufficiently cold inside the appliance, allow the appliance to run for a few hours before placing food in it.

Switching off



- Touch the On/Off sensor.

If this is not possible, the safety lock is active.

The temperature display disappears and the mains connection symbol  lights up.

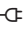
The interior lighting goes out and the cooling is switched off.

Switching off the appliance in Sabbath mode

The appliance can be switched off directly at any time.



- Touch the On/Off sensor.

The temperature display disappears and the mains connection symbol  lights up.

The interior lighting goes out and the cooling is switched off.

When the appliance is switched back on again, Sabbath mode is deactivated.

Switching off for longer periods of time

If the appliance is not going to be used for a longer period of time, e.g. whilst on holiday:

- switch the appliance off,
- switch off at the wall and withdraw the plug from the socket, or disconnect the mains fuse or remove the screw-out fuse in countries where this is applicable,
- clean the appliance, and
- leave the door ajar to air the appliance.

If, during a long absence, the appliance is switched off but not cleaned out and the doors are left shut, there is a danger of mould and odours building up inside the appliance.

The correct temperature

It is very important to set the correct temperature for storing food in the appliance. Micro-organisms will cause food which is not stored at the correct temperature to deteriorate rapidly. Temperature influences the growth rate of these micro-organisms. Reducing the temperature reduces their growth rate.

The temperature in the appliance will rise:

- the more often the door is opened and the longer it is kept open,
 - the more food which is being put in the refrigerator,
 - the warmer the food is which is being put into it,
 - the higher the ambient temperature surrounding the appliance.
- The appliance is designed for use within specific ambient temperatures (climate range). Do not use in ambient temperatures for which it is not designed.

. . . in the refrigerator section and in the PerfectFresh zone

We recommend a temperature of **4 °C** in the refrigerator.

The temperature in the PerfectFresh zone is controlled automatically, and is maintained at **0 to 3 °C**.

Automatic temperature adjustment (DynamicCooling)

The DynamicCooling fan automatically switches on when the cooling system for the refrigerator switches on. It distributes the temperature in the appliance to all areas more evenly so that all the food will be chilled to about the same degree.

Temperature display

In normal operation the temperature display shows the current mean refrigerator temperature .
--

Depending on the room temperature and the temperature setting, it can take several hours until the selected temperature is reached and displayed steadily.

Setting the temperature

- Use both sensors underneath the display to set the temperature.

By touching



- the down arrow, the temperature decreases



- the up arrow, the temperature increases

While the temperature is being set, the temperature value will flash.

When you tap the sensors, you will see the following changes in the display:

- When first tapped: The **last temperature selected** flashes.
- Each subsequent touch of a sensor: The temperature is adjusted in 1°C steps.
- Leaving a finger on the sensor: The temperature changes continuously.

Approximately 5 seconds after you release the sensor, the **actual** temperature in the appliance will be displayed.

or

- Touch OK to confirm your selection.

When you have adjusted the temperature, wait for **approx. 6 hours if the appliance is not very full** and for **approx. 24 hours if the appliance is full** before checking the temperature display, as it will take this long for the appliance to reach the temperature.

If, after this time, the temperature is still too high or too low, you will need to adjust it again.

Temperature range

The temperature can be adjusted between 3 °C and 9 °C.

The correct temperature

Adjusting the temperature in the PerfectFresh zone


In the PerfectFresh zone the temperature is maintained between 0 and 3 °C. However, if you would like it to be warmer or colder, e.g. when storing fish, you can adjust the temperature slightly.

The preset temperature in the PerfectFresh zone is 5. If a setting of between 1 and 4 is selected, minus temperatures may be reached, thus resulting in food freezing.


Adjusting the temperature



- Touch the settings sensor.

All selectable symbols appear in the display and the  symbol flashes.



- Touch the sensors for setting the temperature (∨ or ∧) repeatedly until the  symbol flashes in the display.



- Touch the OK sensor to confirm your selection.


The last selected setting flashes in the display and the  lights up.



- You can now adjust the temperature in the PerfectFresh zone by touching the ∨ or ∧ sensor. You can choose from settings 1 to 9:
1: lowest temperature
9: highest temperature



- Touch the OK sensor to confirm your selection.

The selected setting will be adopted and the  symbol will flash.



- Touch the settings sensor to leave settings mode. Otherwise, the electronics will leave settings mode automatically after approx. one minute.

The newly set temperature for the PerfectFresh zone will gradually be reached.

SuperCool

The SuperCool function can be used to rapidly reduce the temperature in the refrigerator section to its lowest setting (depending on the room temperature).

Switching on SuperCool

SuperCool is particularly recommended for the fast chilling of large amounts of fresh food or drink.



- Touch the SuperCool sensor so that it is highlighted in yellow.

The temperature in the appliance now begins to fall, with maximum cooling performance.

Switching off SuperCool

The SuperCool function switches off automatically after approx. 12 hours. The refrigerator then operates with normal cooling performance.

To save energy, the SuperCool function can be switched off once food and drinks are sufficiently chilled.




- Touch the SuperCool sensor so that it is no longer highlighted in yellow.


The appliance will continue to operate at normal power.

Door alarm

The appliance is fitted with a warning system to avoid increased energy consumption and food becoming warm if the door is left open.

An alarm will sound if the door is left open for too long. The alarm symbol  will light up.

The time until the door alarm is triggered depends on the selected setting and can be either 2 minutes (factory default) or 4 minutes. The door alarm can also be switched off (see "Further settings - Audible tones").

As soon as the door is closed, the audible tone will stop and the alarm symbol  will disappear from the display.


If no audible tone sounds even though a door alarm is available, then the audible tone has been switched off in settings mode (see "Further settings - Audible tones").

Switching the alarm off early


If the noise of the alarm disturbs you, you can switch the alarm off early if you wish.








- Touch the alarm off sensor.

The audible tone stops. The alarm symbol  remains illuminated until the door is closed.

Certain settings on the appliance can only be selected in the settings mode.

While you are in settings mode, the door alarm and any other fault messages are suppressed, but the alarm symbol  lights up in the display.

Setting options

	Switching safety lock on/off
	Switching audible tones on/off
	Changing the display brightness
	Adjusting the temperature in the PerfectFresh zone
	Switching Sabbath mode on/off

Adjusting the temperature in the PerfectFresh zone is described in "The correct temperature".

All other setting options are described below.

Safety lock

The safety lock secures against inadvertent:


- switching off,
- temperature changes,
- selection of Supercool,
- adjustment of settings (only switching off the safety lock is possible).

The safety lock prevents the appliance being used without your knowledge, by children, for example.

Switching the safety lock on/off




- Touch the settings sensor.

All selectable symbols appear in the display and the  symbol flashes.



- Touch the OK sensor to confirm your selection.

The last selected setting flashes in the display and the  symbol lights up.


Further settings



- By touching either the ∇ or ^ sensor you can now set whether the safety lock is to be switched on or off:
∇: safety lock is switched off
^: safety lock is switched on




- Touch the OK sensor to confirm your selection.

The selected setting is saved and the  symbol flashes in the display.



- Touch the settings sensor to leave settings mode. Otherwise, the electronics will leave settings mode automatically after approx. one minute.

When the safety lock is switched on, the  symbol lights up in the display.

Audible tones

The appliance features audible tones such as a keypad tone and warning tone for the door alarm.


The keypad tone and door alarm warning tone can be switched on or off, but the temperature alarm cannot be switched off.

You can choose from four setting options. Option 3 is set at the factory. This means that both the keypad tone and the door alarm are switched on.


Switching audible tones on/off



- Touch the settings sensor.


All selectable symbols appear in the display and the  symbol flashes.



- Touch the sensors for setting the temperature (∇ or ^) repeatedly until the  symbol flashes in the display.



- Touch the OK sensor to confirm your selection.

The last selected setting appears in the display and the  symbol lights up.



- By touching the ∨ or ∧ sensor you can now select:

0: keypad tone off; door alarm off

1: keypad tone off; door alarm on
(after 4 minutes)

2: keypad tone off; door alarm on
(after 2 minutes)

3: keypad tone on; door alarm on
(after 2 minutes)



- Touch the OK sensor to confirm your selection.

The selected setting is saved and the 🎵 symbol flashes.



- Touch the settings sensor to leave settings mode. Otherwise, the electronics will leave settings mode automatically after approx. one minute.

Display brightness ☀

You can adjust the display brightness to suit the light conditions in the room.

The display brightness can be adjusted in steps from 1 to 3. The factory default setting is 3 (maximum brightness).

Changing the display brightness



- Touch the settings sensor.

All selectable symbols appear in the display and the ☒ symbol flashes.



- Touch the sensors for setting the temperature (∨ or ∧) repeatedly until the ☀ symbol flashes in the display.



- Touch the OK sensor to confirm your selection.

The last selected setting flashes in the display and the ☀ symbol lights up.

Further settings



- By touching the ∨ or ∧ sensor you can adjust the display brightness:
 - 1: minimum brightness
 - 2: medium brightness
 - 3: maximum brightness



- Touch the OK sensor to confirm your selection.

The selected setting is saved and the ☼ symbol flashes.



- Touch the settings sensor to leave settings mode. Otherwise, the electronics will leave settings mode automatically after approx. one minute.

Sabbath mode

The appliance offers a Sabbath programme for the purposes of religious observance.

The following are switched off:

- the interior lighting when the door is opened
- all acoustic and optical signals
- the temperature display
- SuperCool (if previously switched on)

The following can be selected:

- the settings sensor for switching off Sabbath mode
- and the On/Off button.

The Sabbath mode will switch itself off automatically after approx. 120 hours.


Ensure that the doors are properly closed, as optical and acoustic alarms are switched off.

Any power failure during this time is not shown in the display. After a power failure, the appliance restarts in Sabbath mode.


Switching on Sabbath mode



- Touch the settings sensor.


All selectable symbols appear in the display and the  symbol flashes.



- Touch the sensors for setting the temperature (∇ or ▲) repeatedly until the  symbol flashes in the display.



- Touch the OK sensor to confirm your selection.


The last selected setting flashes in the display and the  symbol lights up.




- By touching the ∇ or ▲ sensor you can now switch on the Sabbath mode. To do this, select the 7 setting.



- Touch the OK sensor to confirm your selection.

The selected setting is applied, the  symbol lights up.

As soon as the  symbol goes out in the display, Sabbath mode is switched on.

- Switch off Sabbath mode after the Sabbath has passed.

Switching off Sabbath mode



- Touch the settings sensor to leave the Sabbath mode.

The temperature appears in the display and the interior lighting switches on.

Using the refrigerator efficiently

Different storage zones

Due to the natural circulation of the air in the appliance, there are different temperature zones in the refrigerator section. Cold, heavy air sinks to the lowest section of the appliance. Make use of the different zones when placing food in the appliance.

This appliance has DynamicCooling, which helps to keep an even temperature when the fan is running. When DynamicCooling is switched on, the difference between the various zones is less pronounced.

Warmest area

The warmest area is in the top section of the door. Use this for storing butter and cheese.

Coldest area

The coldest area in the refrigerator section is directly above the diving plate of the PerfectFresh zone and against the rear wall. However, inside the PerfectFresh zone is even colder.

Use these areas in the refrigerator and in the PerfectFresh zone for all delicate and highly perishable food, e.g.

- fish, meat, poultry,
- sausage products, ready meals,
- dishes or baked goods containing eggs or cream,
- fresh dough, cake mixtures, pizza or quiche dough,
- soft cheese and other dairy products,

- pre-packed vegetables and other fresh food with a label stating it should be kept at a temperature of approx. 4 °C.

Do not store explosive materials in the appliance or any products containing propellants (e.g. spray cans).

Danger of explosion!

If storing food which contains a lot of fat or oil, make sure that it does not come into contact with plastic components as this could cause stress cracks.

Food must not touch the back wall of the refrigerator section, as it may freeze to the back wall.

To allow air to circulate efficiently, do not pack food too closely together in the refrigerator section.

Make sure that the fan at the back of the appliance is not covered. It is important for cooling performance.

Food which should not be stored in a refrigerator

Not all food is suitable for refrigeration at temperatures below 5 °C because it is sensitive to cold.

Depending on the type of food, the appearance, consistency, flavour and/or vitamin content may be altered if stored at too cold a temperature.

Foods which are sensitive to cold include:

- Pineapples, avocados, bananas, pomegranates, mangoes, melons, papayas, passionfruit, citrus fruits such as lemons, oranges, mandarines, grapefruits
- Fruit which is not yet ripe
- Eggplants, cucumbers, potatoes, capiscum, tomatoes, zucchini
- Hard cheeses, e.g. Parmesan, mountain cheese.

What to be aware of when shopping for food

The freshness of food when first placed in the appliance is the most important factor in determining how long it stays fresh, and how long it can be kept in the appliance. Time out of the refrigerator, e.g. during transportation, should be kept to a minimum. For example, do not allow food to stay in a hot car for too long. Once food has started to deteriorate, this process cannot be reversed. As little as two hours outside the refrigerator can cause food to start deteriorating.

Tip: Take a cool bag when shopping and place all cold food immediately in the refrigerator and freezer upon arrival home.

Storing food correctly

Food should generally be stored covered or packaged in the refrigerator section (there are some exceptions to this rule in the PerfectFresh zone - see below). This will prevent food smells from affecting other foods, food from drying out, and also any cross-contamination of bacteria. This is especially important for storing animal products.

The shelf life of food can be significantly increased by setting the correct temperature and maintaining good standards of hygiene.

Storing food in the PerfectFresh zone

Due to the optimum storage conditions in the PerfectFresh zone for fruit, vegetables, fish, meat and dairy products, food remains fresh for longer, and flavour and vitamins are retained.

The optimum storage temperature for fresh food which is not sensitive to the cold is 0 - 3 °C. This is the temperature range which is automatically maintained in the PerfectFresh zone. Food which is not sensitive to cold can be stored in the PerfectFresh zone at this temperature without loss of freshness for considerably longer than in a standard refrigerator, as the deterioration process is decelerated at this temperature.

The humidity level in the PerfectFresh zone can also be regulated to provide the correct conditions for food stored inside it. An increase in the humidity level ensures that food retains its own moisture and does not dry out so quickly. Therefore, such food will remain firm and fresh for longer.

Remember that the initial freshness of the food when placed in the refrigerator is crucial for good storage results.

Take food out of the PerfectFresh zone approx. 30 - 60 minutes before using it. The aroma and taste do not fully develop until the food has reached room temperature.

The PerfectFresh zone is divided into two compartments:

- The upper **dry compartment** has a temperature of between 0 - 3 °C. The humidity level in this compartment is not increased ♠. In this compartment you should store fish, meat, dairy products and any other type of food as long as it is packaged.
- The lower **humidity controlled compartment** (in different numbers depending on model) has a temperature of between 0 - 3 °C. The humidity level can be kept low ♠ or high ♠♠, depending on the position of the slide control. If the humidity is increased in this compartment, fruit and vegetables should be stored inside it.

Storing food in the PerfectFresh zone

Dry compartment ♠

The dry compartment is suitable for storing perishable foods such as:

- Fresh fish, shellfish and crustaceans;
- Meat, poultry, sausages;
- Deli salads;
- Dairy products such as yoghurt, cheese, cream, quark etc.;
- Any type of food can in fact be stored in this compartment, as long as it is packaged.

The low temperature in the dry compartment is its most distinctive feature. The humidity level is similar to that in a conventional refrigerator.

Please note that foods rich in protein deteriorate faster than others. Shellfish, for example, deteriorates faster than fish, and fish deteriorates faster than meat.

Always keep these foods **covered or wrapped**.

Humidity controlled compartment ♠, ♡

The humidity controlled compartment has a slide control which is used to regulate the moisture in this compartment.

To do this, set the slide control to either ♠ or ♡.

Low humidity ♠

When this setting (♠) is used, the humidity controlled compartment becomes a dry compartment. The slide control opens the narrow openings in the compartment so that moisture is able to escape (see "Dry compartment ♠").

High humidity ♡

On this setting (♡) the humidity controlled compartment is suitable for storing fruit and vegetables.

The slide control closes the openings in the compartment so that the moisture is retained within it.

The humidity level in the humidity controlled compartment is determined by the type and quantity of food when it is not packaged.

If the quantity of food being stored in this compartment is small, the humidity level may be low.

Tip: Store small quantities of food in air-tight packaging.

If the humidity level in the humidity controlled compartment is high, condensate may build up. This can be removed with a cloth.

Storing food in the PerfectFresh zone

If you are not satisfied with the results of your stored food (e.g. food loses firmness and wilts shortly after placing in the appliance), keep in mind the following instructions:

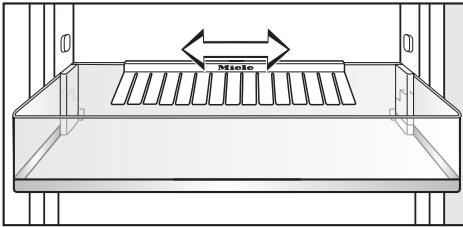
- Only place fresh food in the appliance as the initial condition of the food is crucial to maintaining freshness.
- Clean PerfectFresh compartments before storing food in them.
- Dry the surface of very moist food before placing it in the PerfectFresh compartments.
- Do not store any food in the PerfectFresh zone which is sensitive to cold (see "Food which should not be stored in a refrigerator").
- For the type of food being stored, select the correct PerfectFresh compartment and the appropriate position of the slide control for the humidity controlled compartment (low or high humidity).
- An increased humidity level (◆◆) in the humidity controlled compartment is achieved through the moisture contained within the food being stored, i.e., the more food, the more moisture there is. If too much moisture collects on the floor of the compartment and this is affecting the food, mop up the condensate with a cloth or place a rack at the bottom of the compartment to allow any excess moisture to drain off. If the humidity level becomes too low, wrap the food in air-tight packaging.
- If you think that the temperature in the PerfectFresh zone is not correct, try adjusting it slightly by 1 to 2 °C via the refrigerator temperature control. To avoid frost damage to food, a higher temperature must be set if ice crystals begin to form on the bottom of the PerfectFresh compartments.

Adjusting the interior fittings

Adjusting the door shelf / bottle shelf

- Lift up the bottle shelf / door shelf and pull it towards you to remove it.
- Replace the shelf at the required height. Ensure that it is securely pushed back into position.

Moving the bottle holder



The bottle holder can be moved left or right, thus creating more room for drink cartons.

The bottle holder can be removed completely, e.g. for cleaning.

- Lift up the bottle shelf and pull it towards you to remove it.
- Detach the bottle holder from the back edge of the bottle shelf.

Adjustable shelf / Adjustable shelf with lighting

The LED lighting is located on the stainless steel trim of the adjustable shelf.

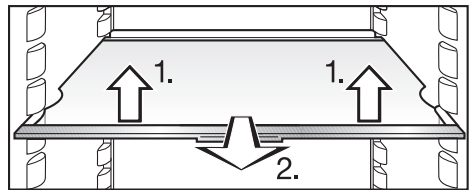
By adjusting the position of the shelf in the refrigerator, you can change the illumination in this section according to your needs.

If the lighting does not work, check that the shelf is correctly positioned in the shelf supports:

The adjustable shelf has metal discs (contacts) on the front left corner to enable electricity to be supplied to the LED lighting. When inserting the shelf, ensure the contacts click into position in the shelf support.

Moving the adjustable shelf / adjustable shelf with lighting

The shelves can be adjusted according to the height of the food.



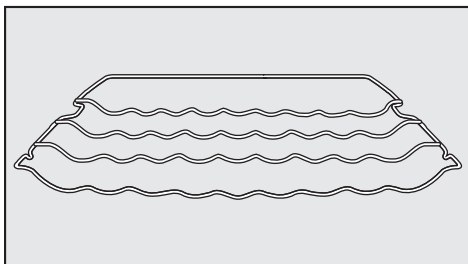
- Raise the shelf, and pull it forwards slightly until the notch at the side is in line with the shelf support. It can then be raised or lowered to the required level.

Adjusting the interior fittings

The raised edge at the back must face upwards to prevent food from touching the back of the appliance and freezing to it.

Stops prevent the shelves from being pulled out accidentally.

Adjusting the bottle rack



The bottle rack can be placed on different levels in the appliance.

- Raise the rack, and pull it forwards slightly until the notch at the side is in line with the shelf support. It can then be raised or lowered to the required level.

The rear stopping bar must be raised to prevent the bottles touching the rear wall.

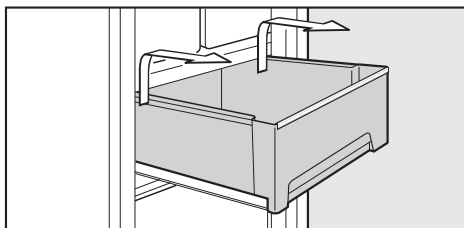
The bottle rack has stoppers at the sides to prevent the rack being pulled out unintentionally.

PerfectFresh zone compartments

The compartments in the PerfectFresh zone sit on telescopic rails, and can be removed for filling, emptying or cleaning purposes:

To make it easier to pull out the drawers, remove the bottle shelf from the appliance door.

- Pull out the drawer as far as it will go, and then lift it up and out.



- Hold the drawer at the sides towards the back, lift it slightly and then pull it out.

Push the runners back in again to avoid injury or damage.

- Carefully pull out the lid between the compartments slightly, and lift it down and out.

Be careful not to wash out the special lubricant in the telescopic runners when cleaning the appliance.
Clean the telescopic runners with a damp cloth.

- To refit the drawer, insert the compartment lid from beneath into the holders, and push it back into place.

To replace the drawer:

- Place the drawer on the fully retracted telescopic runners.
- Push the drawer in until it clicks into place.

Automatic defrosting

The refrigerator defrosts automatically.

Condensate and frost can build up on the back wall of the refrigerator whilst in use. You do not need to remove this, as it will defrost and evaporate automatically with the warmth generated by the appliance.

The condensate is drained away through a channel and drain hole, then fed into an evaporation system at the back of the appliance.

It is important to keep the condensate channel and drain hole clean and free of blockages so that the condensate can flow away properly.

Do not let water get into the electronic unit or the lighting, or on the metal discs (contacts) in the left-hand shelf support.

Cleaning water must not get into the drain hole.

Do not use a steam cleaning apparatus to clean the appliance. Steam could reach the electrical components and cause a short circuit.

The data plate located inside the appliance must not be removed. It contains information which is required in the event of a service call.

- hard, abrasive sponges and brushes, e.g. pot scourers,
- dirt erasers,
- sharp metal scrapers.

To clean stainless steel surfaces on the appliance, use the Original Miele care product for stainless steel (see Guide to the appliance - Optional accessories").

This product contains substances that are gentle to stainless steel surfaces and, unlike stainless steel cleaners, it does not contain polishing agents. Soiling is gently removed and each time the Original Miele Care product for stainless steel is used, it forms a protective film against dirt and water.

Cleaning agents

To avoid damaging the surfaces of your appliance, do **not** use:

- cleaning agents containing soda, ammonia, acids or chlorides,
- cleaning agents containing descaling agents,
- abrasive cleaning agents, e.g. powder cleaners and cream cleaners,
- solvent-based cleaning agents,
- stainless steel cleaning agents,
- dishwasher cleaner,
- oven sprays,
- glass cleaning agents,

Cleaning and conditioning agents used inside the appliance must be food safe.

We recommend using lukewarm water with a little washing-up liquid to clean surfaces of the appliance.

The following pages contain important information on cleaning.

Cleaning and care

Before cleaning

- Switch off the appliance.

The display goes dark and the cooling is switched off.

If this is not the case, the safety lock is on (see "Further settings - Switching the safety lock on/off).

- Disconnect the appliance from the mains. Switch off at the wall and withdraw the plug from the socket, or disconnect the mains fuse or remove the screw-out fuse in countries where this is applicable.
- Take any food out of the appliance and store it in a cool place.
- Remove the door shelves.
- Remove the PerfectFresh zone drawers and the respective lid (see "Adjusting the interior fittings - PerfectFresh zone compartments").
- Remove the glass plate from the divider panel.
- Take out any removable parts for cleaning.

Adjustable shelf / Adjustable shelf with lighting

The stainless steel strip with LED lighting and the stainless steel strips on the adjustable shelves are **not** dishwasher-safe.

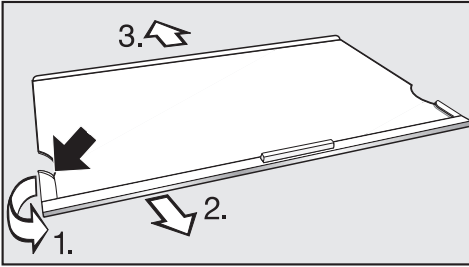
The stainless steel strip with LED lighting on the adjustable shelf must not be immersed in water.

Proceed as follows to remove the stainless steel strip with LED lighting or the stainless steel strip and rear protective strip:

- Place the adjustable shelf on a soft surface (e.g. towel) with the top side facing downwards.

Stainless steel strip with LED lighting

Important! Always loosen the side **without** the contacts (metal discs) for the LED lighting first.



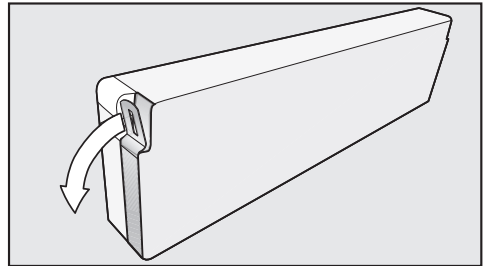
- Take hold of the plastic edging on the left-hand side of the stainless steel strip.
 1. Remove the plastic edging from the adjustable shelf, and 2. Remove the strip at the same time. The opposite side will now also be detached.
- 3. Remove the protective strip at the back.
- After cleaning, reattach the stainless steel strip and the protective strip in reverse order.

Cleaning the door shelf / bottle shelf

The stainless steel fascias on the door shelf and bottle shelf are **not** dishwasher-safe.

To remove the stainless steel fascias:

- Place the door/bottle shelf with the front side on the work surface.



- Remove one end of the fascia and pull it off the shelf. Then remove the entire stainless steel fascia from the shelf.
- After cleaning, reattach the stainless steel fascia in reverse order.

Cleaning and care

Cleaning the interior and accessories

Clean the appliance at least once a month.

Remove any soiling immediately - do not allow it to dry on.

- Clean the interior with lukewarm water and a little washing-up liquid applied with a soft sponge. After cleaning, wipe with a clean, damp cloth and then dry with a soft cloth.

The following accessories are **dishwasher-safe**:

- Bottle holder, butter dish, egg tray (depending on model)
- Bottle shelf and door shelf (without stainless steel fascia)
- Adjustable shelves (without stainless steel strips with LED lighting / stainless steel strips and protective strips)

The maximum temperature of the dishwashing programme selected must not exceed 55 °C.

Contact with natural dyes from carrots, tomatoes and ketchup may discolour the plastic parts in the dishwasher. This discolouring does not affect the stability of the parts.

The following accessories are **not dishwasher-safe**:

- Stainless steel fascias on the door shelf / bottle shelf
 - Stainless steel strips with LED lighting / stainless steel strips and protective strips on the adjustable shelves
 - Bottle rack
 - PerfectFresh zone drawers with lids
- Clean these parts by hand.

- Clean the condensate channel and drain hole frequently so that condensate can drain away unhindered. Use a straw or similar to clear the drain if necessary.

To do this, remove the PerfectFresh zone drawers.

- The PerfectFresh zone drawers sit upon telescopic runners. Clean these telescopic runners with a damp cloth.

Be careful not to wash out the special lubricant in the telescopic runners during cleaning.

- Remove any soiling on stainless steel strips and fascias with the Miele care product for stainless steel.
- Always apply this care product after cleaning to protect stainless steel surfaces and prevent resoiling.
- Leave the door open to air the appliance for a short while.

Door seals

Do not use any oils or grease on the door seals as these will cause the seals to deteriorate and become porous over time.

- The door seals should be cleaned regularly with clean water, and then wiped dry with a soft cloth.

Ventilation gaps

- The ventilation gaps should be cleaned on a regular basis with a brush or vacuum cleaner. A build-up of dust will increase the energy consumption of the appliance.

Cleaning and care

After cleaning

- Refit all shelves and accessories in the appliance.

The left-hand support ribs for the adjustable shelves have metal discs (contacts) inside the receiving gaps to supply the LED lighting with electricity.

Ensure these contacts are clean and dry before inserting the adjustable shelf with lighting.

The adjustable shelf must click into position for the lighting to work.

- Reconnect the appliance to the electricity supply and switch it on.
- Switch on the SuperCool function so that the refrigerator section can cool down quickly.
- Place the food back in the appliance and close the door.




Problem solving guide

With the aid of the following guide, minor problems can be easily corrected without contacting Miele.

If, after consulting this guide, you cannot remedy the problem, please contact Miele. Please note, however, that a call-out fee will be applied to unnecessary service visits where the problem could have been rectified as described in these operating instructions.

To prevent cold from escaping, avoid opening the appliance door until the fault has been corrected.

Repairs and other work by unqualified persons could be dangerous. Installation, maintenance work and repairs to electrical appliances must only be carried out by a Miele approved service technician.

Problem	Possible cause	Remedy
<p>The appliance does not get cold, the interior lightning does not come on when the door is opened, and the display is dark.</p>	<p>The appliance is not switched on and the mains connection symbol  lights up in the display.</p>	<p>■ Touch the On/Off sensor.</p>
	<p>The plug is not correctly inserted into the socket.</p>	<p>■ Insert the plug correctly into the socket. The mains connection symbol  appears in the display when the appliance is switched off.</p>
	<p>Check whether the mains fuse has tripped or whether the refrigerator, mains voltage or another appliance is faulty.</p>	<p>■ Contact a qualified electrician or Miele.</p>
<p>The appliance does not get cold, although the controls and the interior lighting are working.</p>	<p>The Demo mode is switched on and the  symbol lights up in the display. This allows the appliance to be presented in Miele Centers and retail stores without switching on refrigeration. Do not switch on Demo mode at home.</p>	<p>■ Switch off Demo mode (see "Information for Miele Centers and Chartered Agents - Demo mode").</p>

Problem solving guide

The compressor runs more and more often and for longer periods of time, the temperature in the appliance drops.		
Problem	Possible cause	Remedy
The temperature in the appliance is too low.	The temperature setting is too low.	■ Correct the temperature setting.
	The door is not properly closed.	■ Check whether the appliance door closes properly.
	The SuperCool function is still switched on. It will switch itself off automatically after approx. 12 hours.	To save energy, you can switch SuperCool off yourself. ■ Press the SuperCool sensor.
The compressor runs continuously.	To save energy, the compressor runs at a lower speed, but for longer, when less cooling is required.	None.

Problem solving guide

The compressor runs more and more often and for longer periods of time, the temperature in the appliance drops.

Problem	Possible cause	Remedy
The compressor is switching on more frequently and for longer periods.	The ventilation gaps in the housing unit have been covered or become too dusty.	<ul style="list-style-type: none">■ Do not block the ventilation gaps.■ Clean the ventilation gaps on a regular basis.
	The door has been opened too frequently, or a large amount of food has just been put in at once.	<ul style="list-style-type: none">■ Only open the doors when necessary and for as short a time as possible. After a while the temperature will return to normal by itself.
	The room is too warm. The higher the room temperature, the longer the compressor has to run.	<ul style="list-style-type: none">■ See "Installation advice - Location".
	The appliance was not properly installed in the niche.	<ul style="list-style-type: none">■ See "Installation advice" and "Installation".

Problem solving guide

The compressor comes on less and less often and for shorter periods of time. The temperature in the appliance rises.

Problem	Possible cause	Remedy
The temperature in the appliance is too high.	This is not a fault.	<ul style="list-style-type: none">■ Correct the temperature setting.■ Check the temperature again after 24 hours.

Information in the display

Problem	Possible cause	Remedy
"F0 to F9" appears in the display.	There is a fault.	<ul style="list-style-type: none">■ Call Miele.

Problem solving guide


Interior lighting		
Problem	Possible cause	Remedy
The LED lighting on one of the adjustable shelves does not work.	The adjustable shelf is not sitting correctly in the support ribs.	<ul style="list-style-type: none"> ■ Push in the shelf until it clicks into position.
The LED lighting on the adjustable shelves does not work.	<p>Liquid has come into contact with the LED lighting on a shelf or the metal discs (contacts) in the left-hand support ribs. A safety cut-out switches the interior lighting off.</p>	<ul style="list-style-type: none"> ■ Wipe the stainless steel strip with LED lighting with a damp cloth and dry it with a soft cloth, or let it dry outside the appliance. Clean the metal discs (contacts) in the same way. <p>Ensure that the contacts are clean and dry before refitting the shelves with LED lighting</p> <ul style="list-style-type: none"> ■ Push in the shelf until it clicks into position. ■ Close the appliance door. <p>When the door is reopened, the interior lighting will work again.</p>
	If this is not the case, then there is a fault.	<ul style="list-style-type: none"> ■ Call Miele.

Problem solving guide

Interior lighting		
Problem	Possible cause	Remedy
<p>The LED lighting on the adjustable shelves does not work.</p>	<p>To avoid overheating, the lighting switches itself off automatically after approx. 15 minutes if the door is left open.</p>	<p>■ Close the appliance door.</p> <p>When the door is reopened, the interior lighting will work again.</p>
	<p>The LED lighting on the stainless steel strip is faulty.</p>	<p>■ Replace the stainless steel strip with LED lighting. It can be ordered from Miele.</p> <div style="border: 1px solid gray; padding: 10px; margin-top: 10px;"> <p>The light cover must not be removed. Should the cover be damaged or need to be removed due to damage, exercise caution. Never look at the lighting with optical instruments (magnifying glass or similar).</p> <p>Current-carrying components are located underneath the light cover. Danger of injury and damage!</p> </div>

Interior lighting		
Problem	Possible cause	Remedy
<p>The LED lighting on the fruit and vegetable drawer does not work.</p>	<p>To avoid overheating, the lighting switches itself off automatically after approx. 15 minutes if the door is left open.</p>	<p>■ Close the appliance door.</p> <p>When the door is reopened, the interior lighting will work again.</p>
	<p>If this is not the case, then there is a fault.</p>	<p>■ Call Miele.</p> <p>The LED lighting may only be repaired or changed by a Miele authorised service technician. Current-carrying components are located underneath the light cover. Danger of injury and damage!</p> <div style="border: 1px solid gray; padding: 5px; margin-top: 10px;"> <p>The light cover must not be removed. Should the cover be damaged or need to be removed due to damage, exercise caution. Never look at the lighting with optical instruments (magnifying glass or similar).</p> </div>

Problem solving guide

Other problems		
Problem	Possible cause	Remedy
You cannot switch the appliance off.	The safety lock is switched on. The  symbol lights up.	■ Switch the safety lock off (see "Settings - Switching the safety lock on/off").
The external walls of the appliance feel warm.	This is not a fault. The heat which results from the cooling process is used to avoid the build-up of condensation on the appliance.	None.
The floor of the refrigerator is wet.	The condensate drain hole is blocked.	■ Clean the condensate channel and drain hole.

Normal noises	What causes them
Brrrrr ...	A humming noise is made by the motor (compressor). This noise can get louder for brief periods when the motor switches on.
Blubb, blubb ...	A gurgling noise can be heard when coolant is circulating through the pipes.
Click ...	Clicking sounds are made when the thermostat switches the motor on and off.
Sssrrrrr ...	On multi-zone and frost-free appliances you can sometimes just hear the movement of the fan inside the appliance.
	On appliances with a water tank a buzzing sound can be heard when water is being pumped out of the water tank.
Crack ...	A cracking sound can be heard when materials expand inside the appliance.

Remember that the noise of the compressor and the coolant circulating in the system is unavoidable.

Noises that you can easily rectify	Possible cause	Remedy
Rattling, vibrating	The appliance is uneven.	Realign the appliance using a spirit level, by raising or lowering the screw feet underneath the appliance.
	The appliance is touching another appliance or piece of furniture.	Move it away.
	Drawers, baskets or shelves are unstable or sticking.	Check all removable items and refit them correctly.
	Are any bottles or containers unstable or knocking against each other?	Separate them.
	The transport cable clips are hanging loose at the back of the appliance:	Remove the cable clips.

After Sales / Warranty

In the event of a fault which you cannot correct yourself, please contact:

– Miele

The contact details for Miele are given on the back cover of these operating instructions.

When contacting Miele, please quote the model and serial number of your appliance. This information is given on the data plate inside your appliance.

Warranty

The manufacturer's warranty for this appliance is 2 years.

For more information on the manufacturer's warranty specific to your country, please contact Miele.

Information for Miele Centers and Chartered Agents

Demo mode


This appliance can be presented in Miele Centers and retail stores with the help of the "Demo mode". The controls and lighting will work, but the compressor will not operate.

Switching on Demo mode



- Switch the appliance off by touching the On/Off sensor.

If this is not possible, the safety lock is active.

The temperature display and the mains connection symbol  light up.





- Place your finger on the V sensor, and leave it there.



- At the same time, briefly touch the On/Off sensor (without letting go of the V sensor).



- Keep your finger on the V sensor until the  symbol appears in the display.
- Then take your finger off the V sensor.

Demo mode is switched on and the  symbol lights up in the display.


Information for Miele Centers and Chartered Agents

Switching off Demo mode


The  is illuminated in the display.



- Touch the settings sensor.

All symbols that can be selected appear in the display and the  symbol flashes.




- Touch the sensors for setting the temperature (∇ or ^) repeatedly until the symbol for the  flashes in the display.



- Touch the OK sensor to confirm your selection.


 flashes in the display (Demo mode is active) and the  symbol is illuminated.



- Touch the ∇ or ^ sensor so that  appears in the display (Demo mode is inactive).




- Touch OK to confirm your selection.

The setting is saved and the  symbol flashes.



- Touch the settings sensor to leave settings mode. Otherwise, the electronics will leave settings mode automatically after approx. one minute.

The Demo mode is switched off and the  symbol disappears.

All electrical work should be carried out by a suitably qualified and competent person in strict accordance with current local and national safety regulations.

The appliance is supplied with a mains cable and moulded plug ready for connection to an AC single phase 220 – 240 V 50 Hz supply.

The fuse rating must be at least 10 A.

The voltage and frequency are given on the data plate. Please ensure that these match the household mains supply. Connection should be made via a suitable switched socket which is easily accessible. For extra safety it is advisable to install a suitable residual current device (RCD).

The accessibility of the plug must always be ensured in order to be able to quickly separate the appliance from the mains.

If the mains socket is not accessible after the appliance has been built in, a separator for each terminal must be available. There must be an all-pole contact gap of 3 mm in the switch.

The plug and mains connection cable must not come into contact with the back of the appliance as vibrations can cause damage to these components. This, in turn, could result in a short circuit.

Nor should other appliances be plugged into a socket located directly behind the appliance.

Do not connect the appliance to the mains electricity supply by an extension lead or a plug adapter. Extension leads do not guarantee the required safety of the appliance (e.g. danger of overheating).

Do not connect the appliance to an inverter such as those used with an autonomous energy source e.g. **Solar power**.

When switched on, peak loads in the system can cause the safety switch off mechanism to be triggered. This can damage the electronic unit.

The machine must not be used with so-called **energy-saving devices** either. These reduce the amount of energy supplied to the machine, causing it to overheat.

If the mains connection cable needs to be replaced, this must only be carried out by a qualified electrician.

WARNING
THIS APPLIANCE MUST BE
EARTHED

Installation advice

This appliance must be built in, otherwise it could tip up.

Side-by-side units:

The KS 37472 iD has two side wall heaters encased in foam and can be built in side-by-side in separate housing units with all refrigeration appliances.

Please contact Miele for information on which combinations are suitable for your appliance.

Location

This appliance should be installed in a dry, well-ventilated room. It should not be installed where it is exposed to direct sunlight or directly adjacent to a heat-producing appliance such as an oven or a radiator. The room temperature should not go above or below the climate range for which the appliance is designed. The higher the ambient temperature of the room, the more energy the appliance requires to operate.

Please note the following when installing the appliance:

- The mains connection socket must not be located directly behind the appliance and must be easily accessible.
- The plug and mains connection cable must not come into contact with the rear of the appliance as they may be damaged by vibrations from the appliance.

- Nor should other appliances be plugged into a socket located directly behind this appliance.

Important! tropical / humid environments

During periods of high humidity, some condensation may appear on outside surfaces of the appliance, which may lead to corrosion on the external walls. For prevention, it is advisable to install the appliance with sufficient ventilation in a dry and/or an air-conditioned room. Please ensure that doors are closing and sealing properly. Please ensure that the appliance is installed in accordance with these installation instructions and that the handle is fitted correctly. Should you require further assistance, please contact Miele.

Climate range

The appliance is designed for use within a certain climate range (ambient temperatures) and should not be used outside this range. The climate range of the appliance is stated on the data plate inside the appliance.

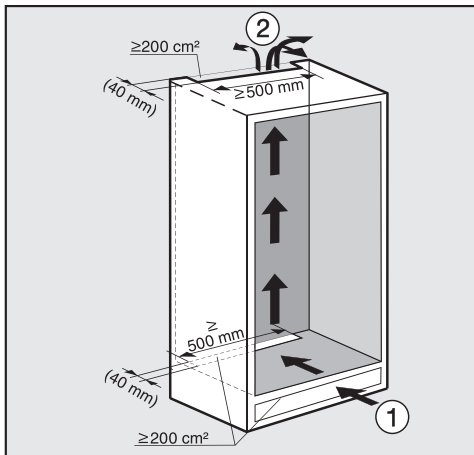
Climate range	Ambient room temperature
SN	+10 °C to +32 °C
N	+16 °C to +32 °C
ST	+16 °C to +38 °C
T	+16 °C to +43 °C

Operating in a room which is too cold will result in the compressor switching off for too long, causing the internal temperature in the appliance to rise with the risk of food deteriorating and going off.

Ventilation

The ventilation gaps given must be adhered to, otherwise the compressor will be activated more frequently and for longer periods. This will result in increased energy consumption and a higher operating temperature for the compressor. This may, in turn, cause the compressor to be damaged.

Air at the back of the appliance gets warm. The appliance housing unit must therefore be constructed to allow sufficient space for ventilation (see "Building-in dimensions").



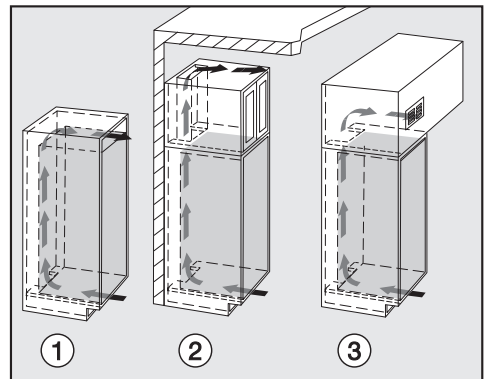
- Air intake ① occurs via the plinth at the bottom of the appliance and the air escapes at the top ② at the rear of the housing unit.
- A ventilation gap of at least 40 mm depth must be allowed for behind the appliance for air to circulate.

- The ventilation cross-sections in the plinth, housing unit and above the appliance must amount to at least 200 cm² to ensure that air can circulate without hindrance.
- The larger the ventilation cross-sections, the more energy efficient the appliance operates.

The air inlet and outlet must not be covered or blocked in any way. They should be dusted on a regular basis.

Top ventilation cross-section

The top ventilation cross-section can be achieved in various ways:

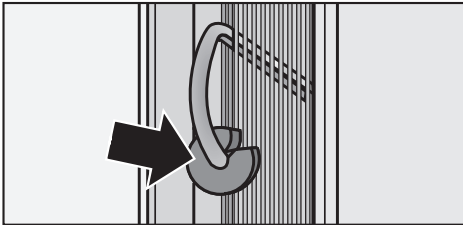


- ① Directly above the appliance with a ventilation grille (free passage of at least 200 cm²).
- ② Between furniture units and the ceiling.
- ③ In an intermediate ceiling.

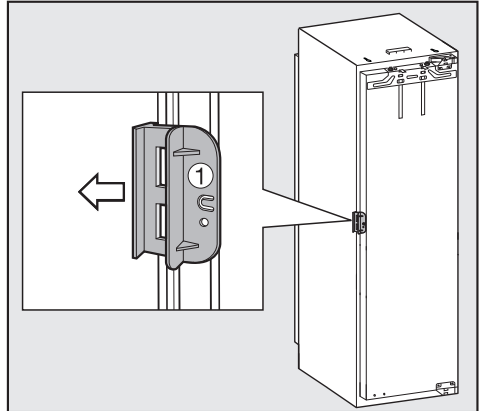
Installation advice

Before installation

- Before installation, remove the accessories bag containing installation components and accessories from the appliance, and remove the sealing strip from the appliance door.
- **Do not remove** the following from the rear of the appliance:

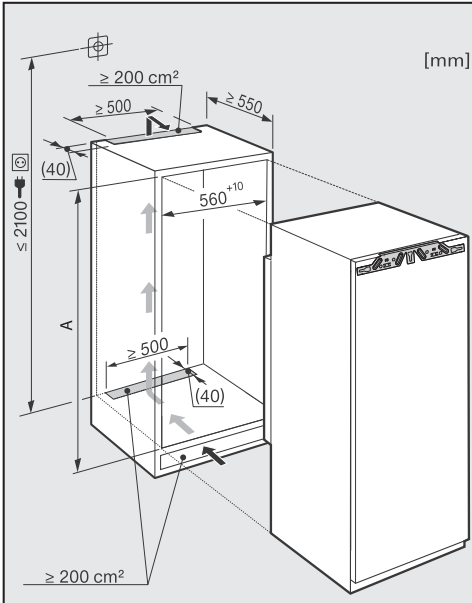


- The spacers (depending on model). These ensure the gap required between the back of the appliance and the wall is maintained.
- The bags (depending on model) located inside the metal grille (heat exchanger). These are important for the correct functioning of the appliance. Their contents are non-toxic and are not dangerous.
- Remove any cable clips from the back of the appliance.
- Check that all parts at the back of the appliance are unhindered. Carefully remove any hindrance.



- Open the appliance door and remove the red transport clips ① (depending on model).

Building-in dimensions



Before installation, ensure the building-in niche matches the required dimensions. The required ventilation cross-sections must be adhered to in order to ensure the correct functioning of the appliance.

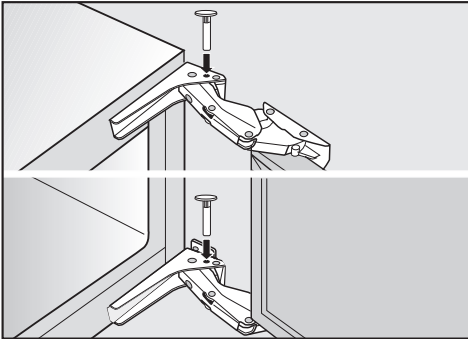
	Niche height [mm] A
KS 37472 iD	1772 - 1788

Adjusting the door hinges

The door hinges are set at the factory to enable the door to be opened wide.

If the opening angle of the door needs to be limited for any reason, the hinge can be adjusted to accommodate this.

- However, if the appliance door hits an adjacent wall when opened, for example, the opening angle can be limited to 90°.



- Place the locking pins supplied for limiting the door opening into the hinges from above.

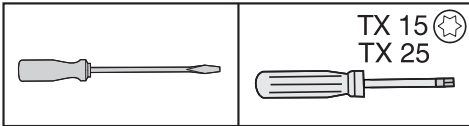
The door opening angle is now limited to 90°.

Changing the door hinging

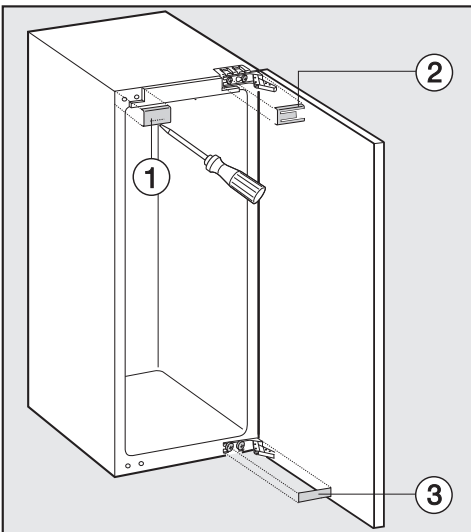
Two people are needed for changing the door hinging.

This appliance is delivered with right-hand door hinging. If you wish to use left-hand hinging, the hinges must be changed:

To change the door hinging, you will need the following tools:

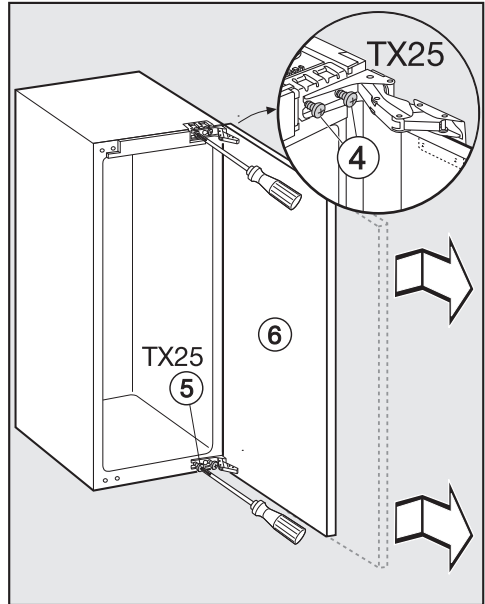


- Open the appliance door.
- Remove the shelves/bottle shelf from the appliance door (depending on



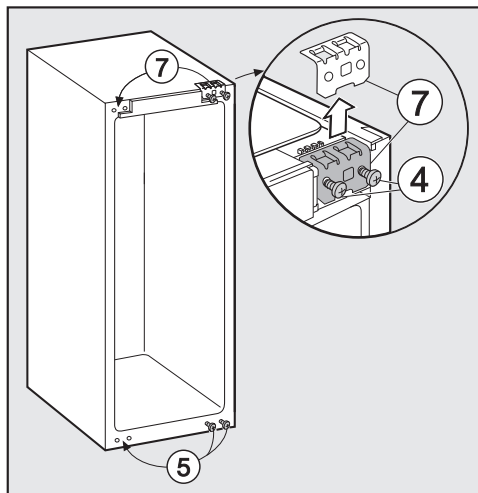
model).

- Lift off the covers ①, ②, and ③.



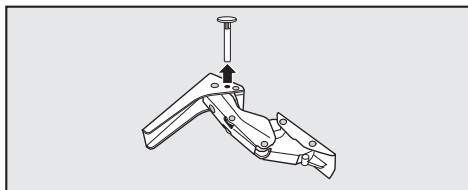
- Slightly loosen the screws ④ and ⑤ on the hinges.
- Push the door ⑥ outwards and take it off its hinges.

Changing the door hinging



- Unscrew the screws ④ completely.
- Place the fixing element ⑦ on the opposite side and loosely screw in the screws ④.
- Unscrew the screws ⑥ completely and loosely screw them in on the opposite side.

If you have put locking pins into the hinges to stop the door opening too far:

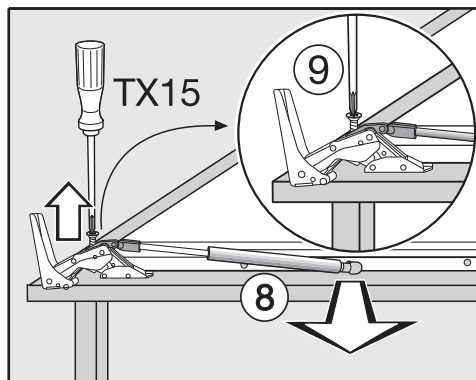


- Remove the locking pins from the top of the hinges.

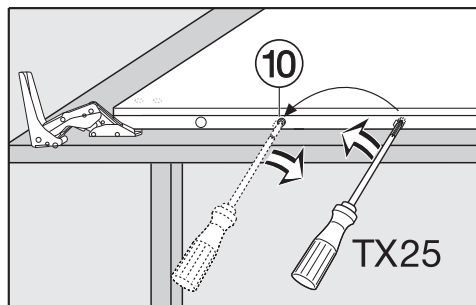
Removing the soft-close mechanism

Risk of injury! When removed from the unit, the soft-close mechanism snaps shut.

- Place the door with the outer side downwards on a stable surface.



- Remove the soft-close mechanism ⑧ from the ball joint.
- Unscrew the mounting ⑨ and pull the soft-close mechanism ⑧ downwards to remove it.

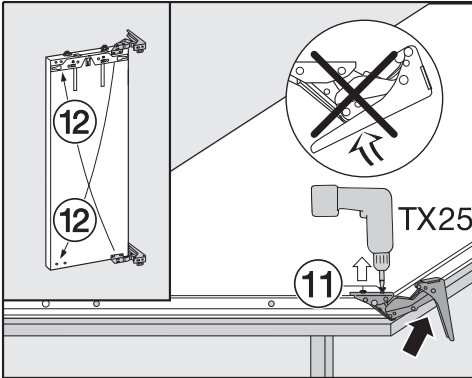


- Unscrew the ball joint ⑩ and screw it into the adjacent hole.

Changing the door hinging

- Now turn over the appliance door so that outer side faces upwards (hinges remain open).

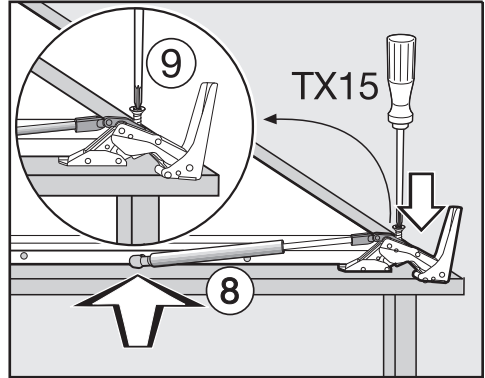
Do not close up the hinges.



- Undo the screws ⑪.
- Place each hinge on the diagonally opposite side ⑫.

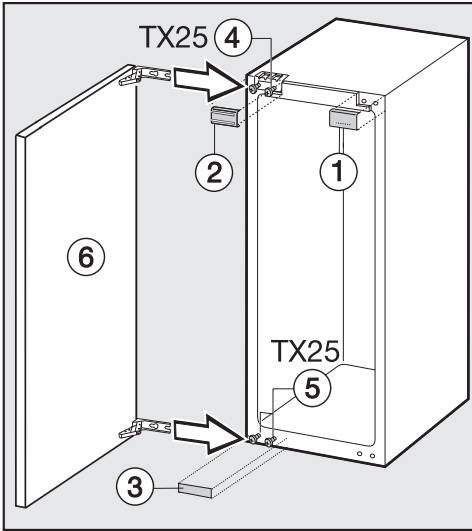
Securing the soft-close mechanism

- Now turn over the appliance door so that the outer side faces downwards.

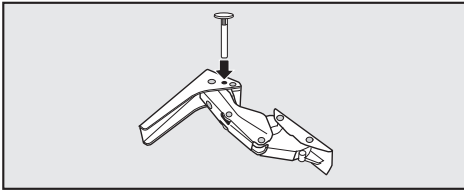


- Screw the mounting ⑨ onto the hinge and tighten securely.
- Open out the soft-close mechanism ⑧ and hook it onto the ball joint.

Changing the door hinging



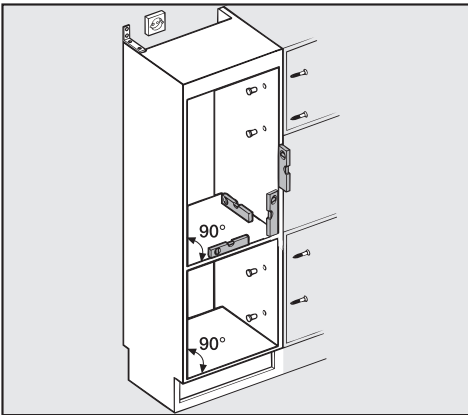
- Hang the appliance door ⑥ and onto the pre-fitted screws ④ and ⑤, and securely tighten the screws ④ and ⑤.
- Replace covers ①, ② and ③.



- Refit the locking pins into the top of the hinges to prevent the doors opening too far.

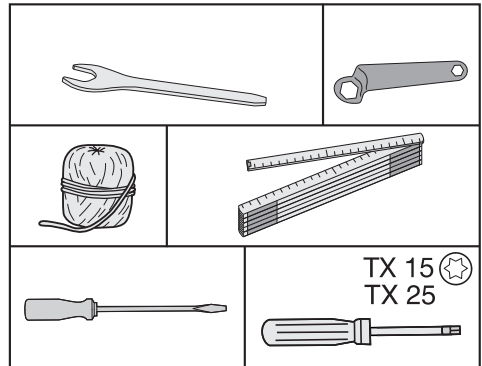
Due to the size and weight of the appliance, it is essential that installation is carried out by two people.

- Install the appliance in a stable, solid housing unit, positioned on an even, horizontal floor.
- Secure the housing unit against tipping.



- Use a spirit level to align the housing unit.
The corners of the housing unit must be at a 90° angle to each other, otherwise the furniture door will not align correctly with all 4 corners of the housing unit.
- The required ventilation cross-sections must be ensured (see "Installation advice - Ventilation" and "Building-in dimensions").

To install the appliance, you will need the following:

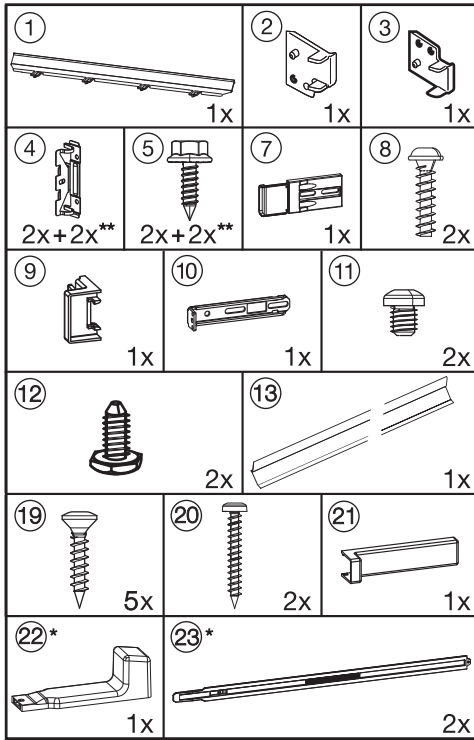


Installation

You will require the following installation components

All installation components are designated by numbers. Each component's number can also be found in the installation steps on the following pages.

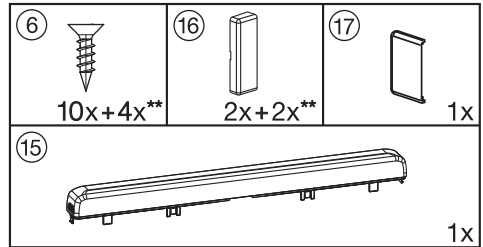
– for building into the niche:



* Components are only supplied with appliances with a niche height of 140 cm or more.

** Number depending on niche height. Also contains additional installation parts for fitting large or divided furniture doors.

– for mounting the appliance doors:

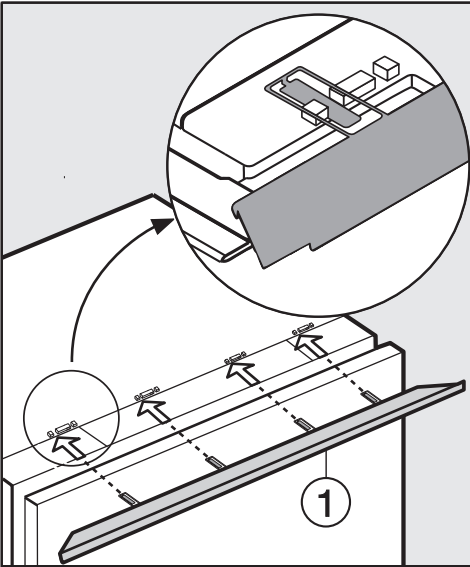


** Number depending on niche height. Also contains additional installation parts for fitting large or divided furniture doors.

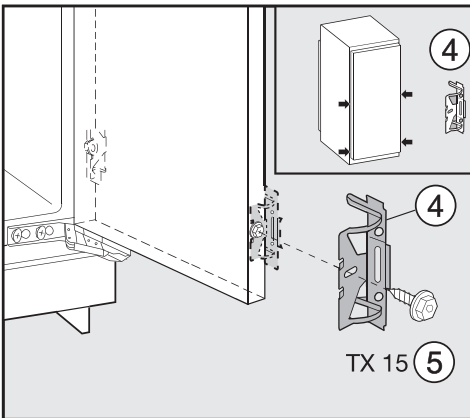
All fitting instructions given are for a **right-hand hinged** appliance. If you have converted the appliance to left-hand hinging, you will need to adapt these instructions accordingly.

Preparing the appliance

- Position the appliance directly in front of the housing unit niche.



- Slide the cover strip ① into the holders as shown.



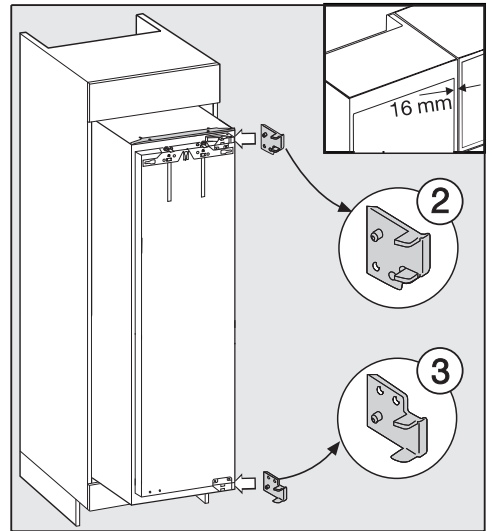
- Screw the fixing bracket ④ using the hexagonal screw ⑤ to the pre-drilled holes in the appliance door. Using the pre-drilled holes in the appliance door, secure a second pair of fixing brackets ④ in the handle area of the door.

- Push the appliance two-thirds of the way into its niche. When doing this, make sure that the mains cable does not get trapped.

Installation tip:

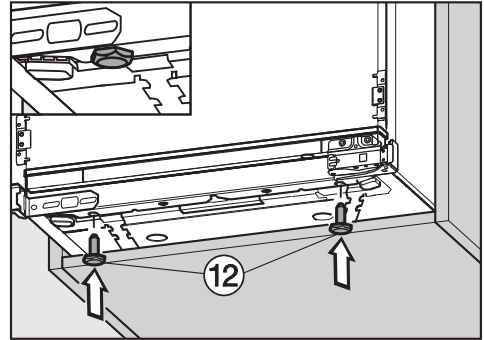
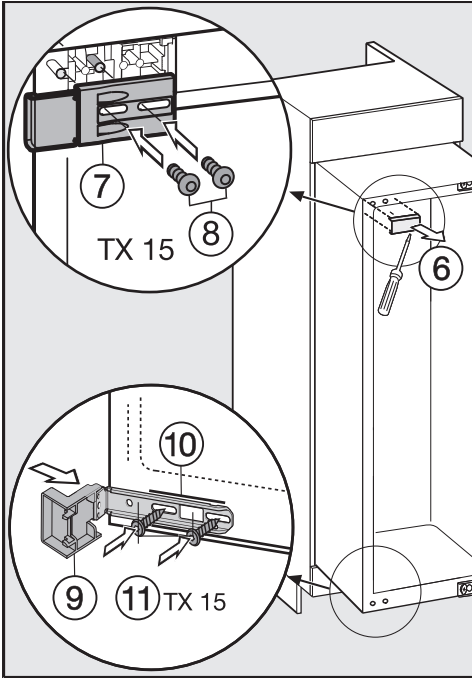
Tie a piece of string around the plug to "lengthen" the mains cable. Then grab the other end of the string and pull the mains cable through the housing unit to make it easier to connect the appliance to the electricity supply after installation.

With 16 mm thick unit walls:



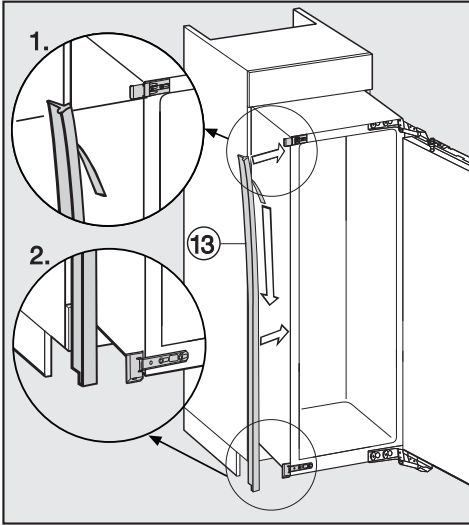
- Clip the spacers ② and ③ on the right-hand side of the hinges.
- Open the appliance door.

Installation



- Now screw the adjustable feet (12) all the way in.

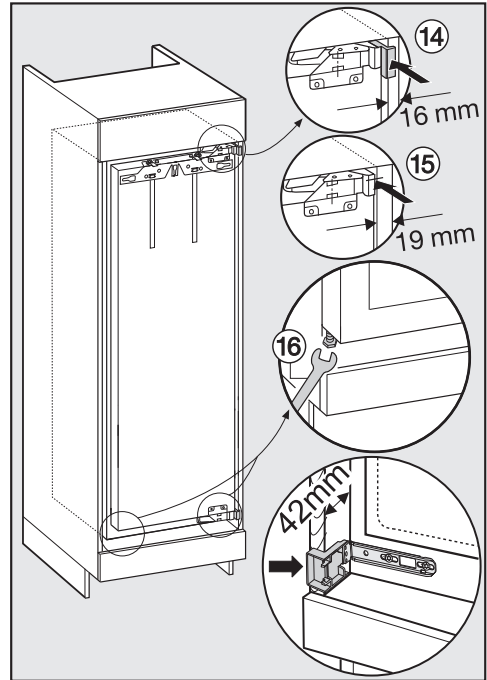
- Remove the cover (6).
- Loosely screw on the fixing plate (7) with the screws (8) at the top left of the appliance. Do not tighten the screws so that the bracket is still able to slide from side to side.
- Fit the cover (9) onto the fixing bracket (10).
- Loosely screw on the fixing bracket (10) with the screws (11) at the base of the appliance. Do not tighten the screws so that the bracket is still able to slide from side to side.



- Carefully remove the protective foil from the sealing strip ⑬.
- Adhere the sealing strip ⑬ to the side of the appliance on which the door is opened so that it is flush with the front edge of the appliance.
 1. Place the sealing strip against the bottom edge of the upper fixing plate.
 2. Adhere it along its entire length.

Installation

- Push the appliance into the niche until all four covers of the fixing brackets touch the front edge of the side walls of the housing unit.



- ⑭ **With 16 mm thick walls:**
The spacers should touch the front edge of the top and bottom of the side walls of the housing unit.
- ⑮ **With 19 mm thick furniture walls:**
The front edges of the hinges are flush with the front edge of the housing unit.

Installation

- Make sure that the covers of the top and bottom fixing brackets lie flush with the front edges of the housing unit side walls.

This will create a gap all round of **42 mm** to the front edges of the housing unit side walls.

On furniture with door fittings (e.g. stubs, seals etc.) the dimension of these must be taken into account when making sure there is a gap all round of **42 mm**.

- Pull the appliance forwards by the appropriate dimension.

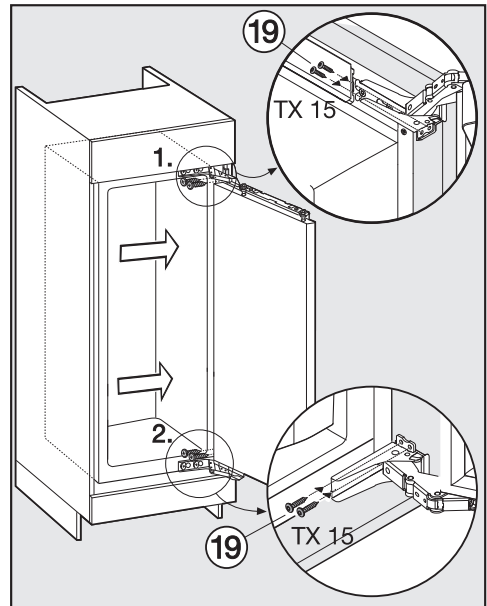
The hinges now protrude by the appropriate dimension.

Tip: Remove the door fittings. This will ensure that the door is flush with the surrounding kitchen unit furniture doors.

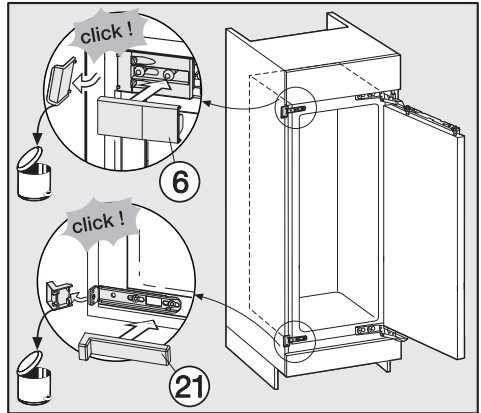
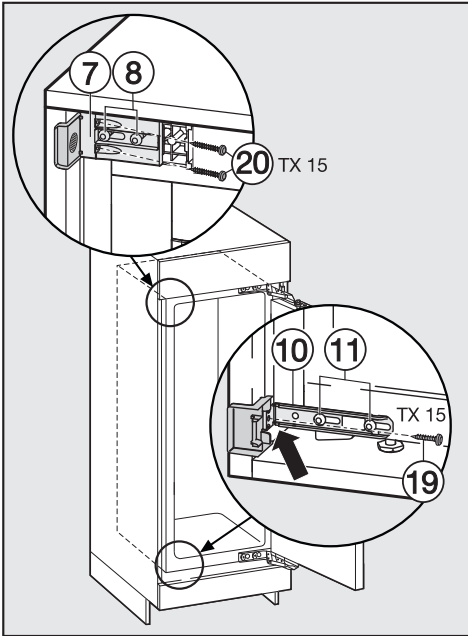
- ⑩ Align the appliance on both sides by altering the adjustable feet using the spanner supplied.

If the all round gap of 42 mm is not maintained between the appliance housing and the front edge of the housing unit side wall, the door may not shut properly. This could lead to a build-up of ice, condensation and other operational faults, resulting in an increase in energy consumption.

Securing the appliance in the niche



- Press the appliance against the wall on the hinge side.
- Screw the chipboard screws ⑩ through the hinge plates at the top and bottom to secure the appliance to the housing unit.



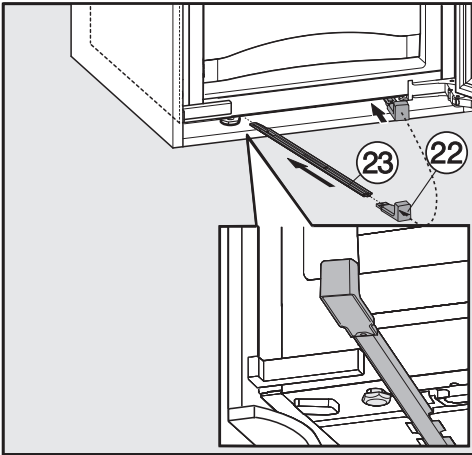
- Push the loose-fitting fixing bracket against the side wall.
- Screw the fixing bracket ⑩ to the housing unit side wall with the screw ⑲. Pre-drill the hole in the housing unit if necessary.
- Secure the fixing bracket ⑦ to the housing unit using the screws ⑳. Pre-drill the holes in the housing unit if necessary.
Important! Push the bracket against the wall of the housing unit while you are tightening the screws. Ensure the appliance does not slide backwards.
- Then tighten the screws ⑧ and ⑪.

- Break off the ends of the brackets and dispose of them. They are no longer needed.
- Attach the respective covers ⑥ and ⑳ to the fixing brackets.

Installation

Only on an appliance with a niche height greater than 140 cm

To further secure the appliance in the housing unit, slide the support strips supplied in between the floor of the housing unit and the bottom of the appliance:



- First attach the key ②② to one of the support strips ②③.
- Slide the support strip into the guide channel as far as it will go. Remove the key, attach it to the other support strip and slide this in underneath the appliance.

Important! Keep the key in case you want to install the appliance at another location at a later date.
- Close the appliance door.

Fitting a furniture door

The furniture door must be a minimum of 16 mm thick and a maximum of 19 mm thick.

The following dimensions for gaps must be adhered to:

- The gap between the furniture door and the kitchen unit door above must be at least 3 mm.
- The vertical gap between the furniture doors should generally be 3 mm. The exact value is dependent upon the radius of the edge of the furniture door.

If the appliance is being built into a run of units, the height of the furniture door should be aligned with adjacent kitchen units.

The furniture door must be mounted plane and free of tension.

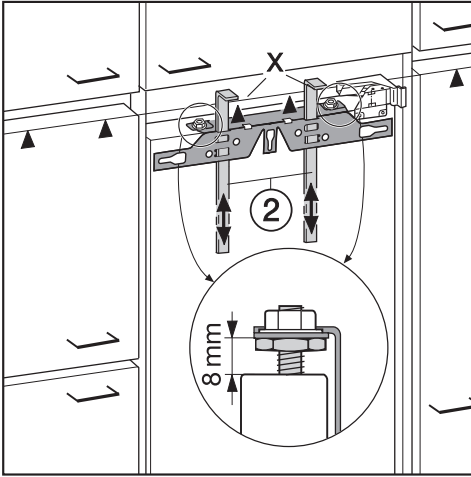
Fitting a door which is heavier than the maximum permitted could damage the hinges, which could in turn affect the functioning of the appliance.

Before fitting a furniture door, ensure that the weight of the door does not exceed the maximum permitted:

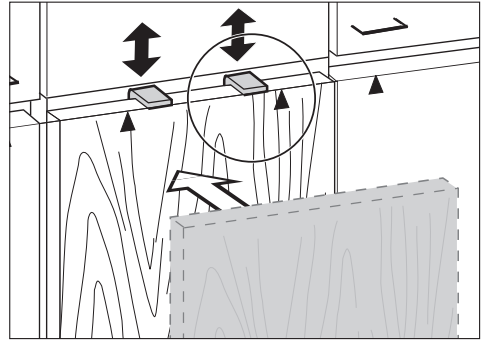
Appliance	Maximum weight of furniture door in kg
KS 37472 iD	26

To fit large or segmented furniture doors, a mounting kit or another pair of fixing brackets can be ordered from Miele.

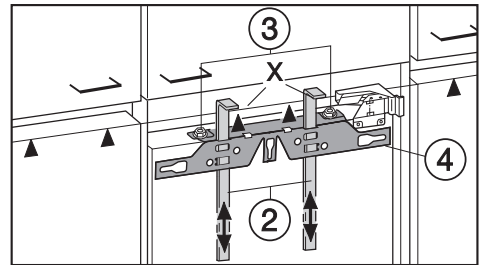
Installation



- A gap of 8 mm is set ex-works between the appliance door and the fixing bracket. Double check this gap and reset it if necessary.
- Push the fitting aids (2) up to the height of the furniture door: the lower edge X of the fitting aids must be at the same height as the upper edge of the furniture door being fitted (see ▲ in diagram).

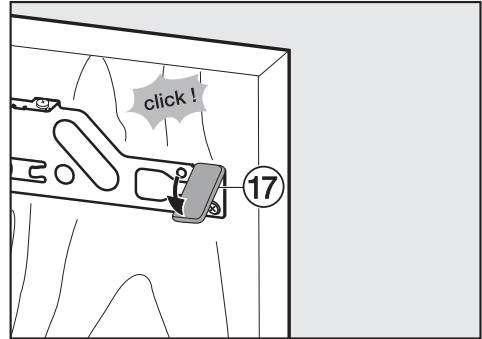
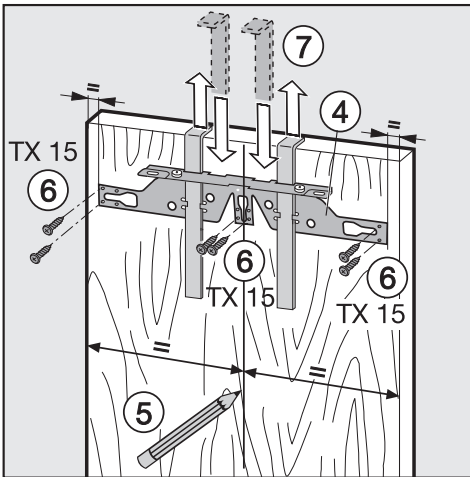


Tip: Push up the fittings aids (2) with the furniture front until they are the same height as the doors of adjacent kitchen units.



- Undo the nuts (3) and take the fixing bracket (4) off together with the fitting aids (2).

- Place the furniture door with the outer side downwards on a stable surface.

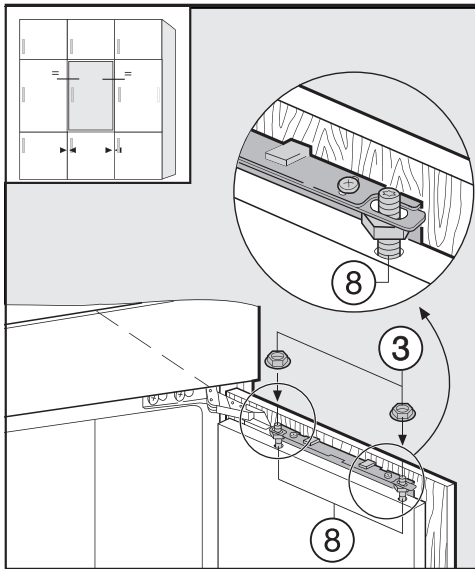


- Using a pencil, lightly mark a line down the centre of the inside of the furniture door ⑤.
- Hang the fixing bracket ④ with the fitting aids onto the **inside** of the furniture door. Align the fixing bracket centrally.
- Secure the fixing bracket with 6 short chipboard screws ⑥ (on cassette doors, only use 4 screws on either side of the bracket). Pre-drill the holes if necessary.
- Pull the fitting aids upwards to remove them ⑦. Turn them around and fit them into the middle slots on the fixing bracket for safe keeping.

- Fit the side cover ⑰ to the fixing bracket on the opposite side of the hinge.
- Turn the furniture door over and attach the handle (if needed).

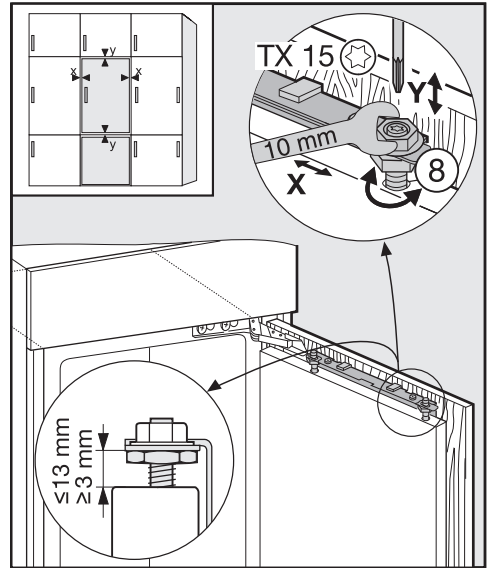
Installation

- Open the appliance door.



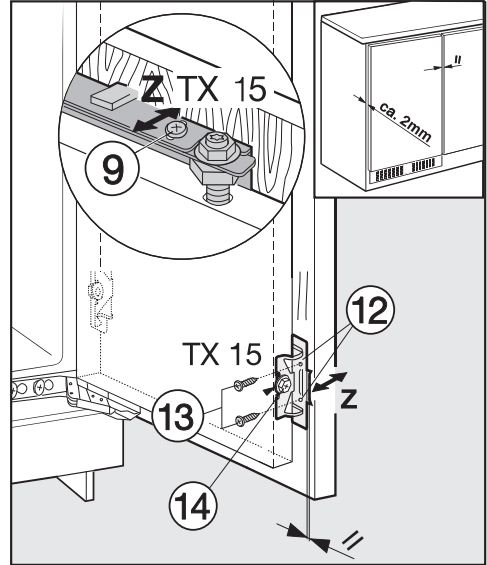
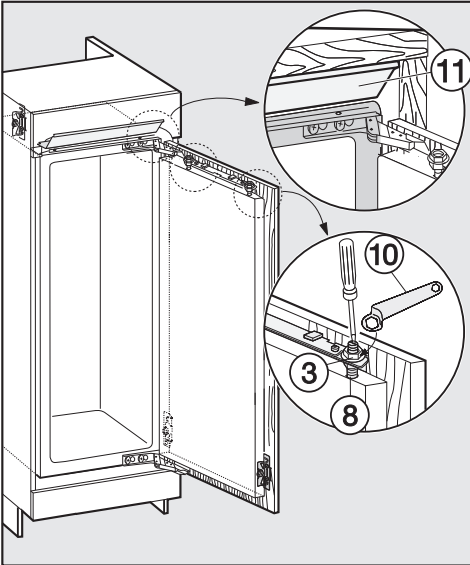
- Hang the furniture door onto the adjusting bolts ⑧.
- Loosely attach the nuts ③ on the adjusting bolts.
- Close the door and check the distance between the door and neighbouring furniture doors. The distance should be the same.

Adjusting the position of the door



- **Adjustment to the sides (X).**
- Move the furniture door.
- **Height adjustment (Y)**
- Turn the adjusting bolts ⑧ using a screwdriver.

The distance between the appliance door and the fixing bracket is set to 8 mm at the factory. Adjust this distance only within the dimensions given in the diagram.



- Whilst counterholding the adjusting bolts ⑧ with a screwdriver, tighten the nuts ③ on the appliance doors with the ring spanner ⑩.
- The cover strip ⑪ must be completely hidden in the niche, and must not protrude.

- Drill fixing holes ⑫ in the furniture doors and screw in the screws ⑬. Make sure the two metal edges are aligned (Symbol //).
- Close the appliance door and the furniture door.

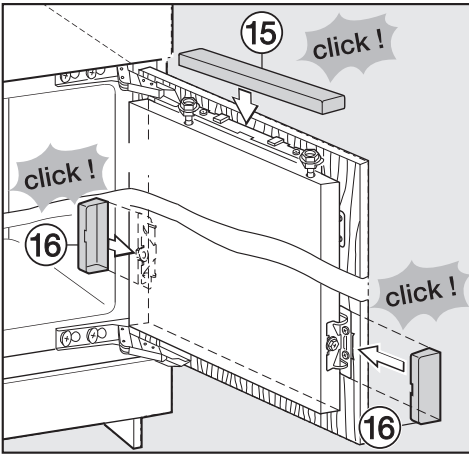
Adjusting the position of the door

– Adjusting the depth (Z)

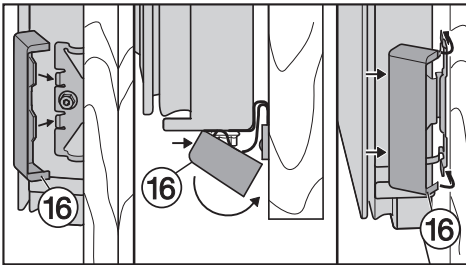
- Loosen the screws ⑨ at the top of the appliance door and the screw ⑭ on the lower fixing bracket. Move the furniture door to create a gap of 2 mm between the furniture door and the housing unit.

Installation

- Tighten all screws again.



- Fit the top cover ⑮, and click it into place.



- Fit the side covers ⑯, making sure they click into place.

To make sure the appliance is correctly installed:

- The door must close properly.
- The door must not touch the furniture carcass.
- The seals at the top edge of the handle side must fit properly.
- To double check, place a torch in the appliance and close the door. Switch the lights off in the room. If you can see any light shining out from the sides, double check the installation.

Miele Australia Pty. Ltd.

ABN 96 005 635 398

Miele Center and Head Office Melbourne:

1 Gilbert Park Drive
Knoxfield, VIC 3180

Miele Center and Office Melbourne:

206-210 Coventry Street
South Melbourne, VIC 3205

Miele Center and Office Sydney:

3 Skyline Place
Frenchs Forest, NSW 2086

Miele Center and Office Brisbane:

39 Harvey Street North
Eagle Farm, QLD 4009

Miele Center and Office Adelaide:

83-85 Sir Donald Bradman Drive
Hilton, SA 5033

Miele Center and Office Perth:

205-207 Stirling Highway
Claremont, WA 6010



www.miele.com.au



Miele New Zealand Limited

Head Office:

Unit L, 10-20 Sylvia Park Road
Mt Wellington, Auckland 1060

Miele Center Auckland:

8 College Hill
Freemans Bay, Auckland 1011

Telephone:

0800 4 MIELE (0800 464 353)

www.miele.co.nz

Miele Global Headquarters

Germany

Miele & Cie. KG

Carl-Miele-Straße 29
33332 Gütersloh
Federal Republic of Germany

KS 37472 iD



en - AU, NZ

M.-Nr. 09 938 280 / 00